

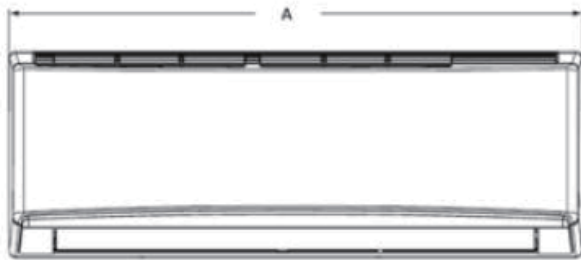
**SPLIT TYPE**
**'75 BB5**
**Model:  
KW09HQ1B8D**


Item	Unit	Specification
ODU Model	—	KW09HQ1B8DO
IDU Model	—	KW09HQ1B8DI
System Ratings		
Cooling Capacity	Btu/h	9,000
Heating Capacity (47°F)	Btu/h	9,500
Heating Capacity (17°F)	Btu/h	5,600
Cooling Capacity Range	Btu/h	3,100-9,600
Heating Capacity Range	Btu/h	3,100-12,000
Cooling Power Input (Max)	W	900
Heating Power Input (Max)	W	800
SEER	—	16.0
HSPF	—	9.0
EER	W/W	10.0
COP	W/W	3.5
Cooling Operation Range	F (C)	0~115.0 (-18.0~46.0)
Heating Operation Range	F (C)	-4~75.0 (-20.0~24.0)
Gas Pipe Size (OD)	Inch	3/8
Liquid Pipe Size (OD)	Inch	1/4
Connection Method	—	Flared
Factory Charge	oz	24.7
Additional Charge	oz/ft	0.2
Pre-Charge Length	ft.	25
MAX Refrigerant Length	ft.	49
Min Refrigerant Pipe Length	ft.	10
MAX Refrigerant Pipe Elevation	ft.	33
Indoor Unit Data		
Fan Motor Power Output	W	20
Fan Motor FLA	A	0.2
Air Flow Volume	CFM	171/318
Sound Pressure Level	dB(A)	28/43
Dehumidification	pt/hr	1.69
Power Supply	—	208/230V / 1Ph / 60Hz
Min/Max Voltage	V	187 - 253
MCA	A	9.0
MOCP/Breaker Size	A	15.0
Outdoor Unit Data		
Compressor Type	—	DC Inverter Rotary
Compressor RLA	A	12.6
Refrigerant Type	—	R410A
Fan Motor Power Output	W	30
Fan Motor FLA	A	0.23
Sound Pressure Level	dB(A)	53
Power Supply	—	208/230V / 1Ph / 60Hz
Min/Max Voltage	V	187 - 253
Main Supply Wire Size	—	14-2 AWG
MCA	A	9.0
MOCP/Breaker Size	A	15.0

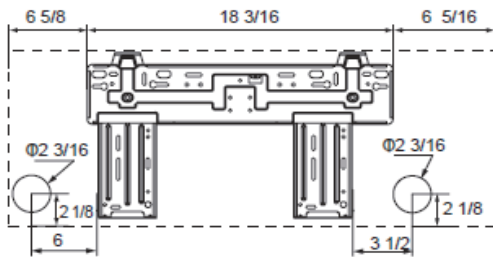
**Job Name:**
**Schedule Reference:**
**Date:**



Outline and Physical Dimension of KW09HQ1B8D.

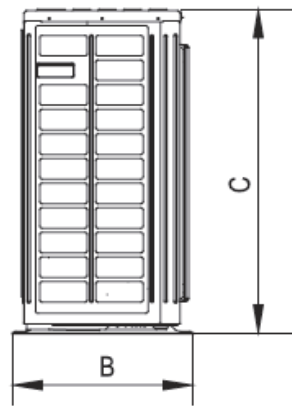
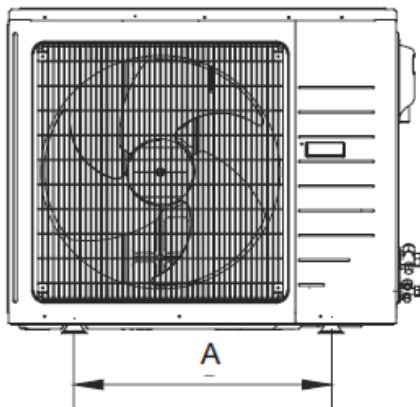


Dimensions	
A	31 1/8
B	10 3/4
C	7 7/8



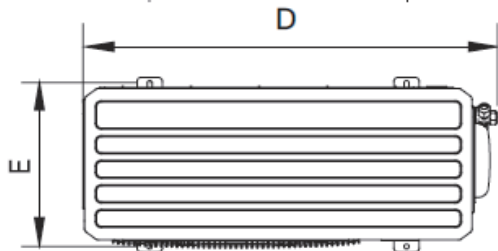
Liquid Line Valve	1/4-in OD Flared
Gas Line Valve	3/8-in OD Flared
Drain Connector	5/8-in OD

Units: inch



Dimensions	
A	20
B	12 5/8
C	21 1/4
D	33 5/8
E	11 1/4

Units: inch



Liquid Line Valve	1/4-in OD Flared
Gas Line Valve	3/8-in OD Flared

Net Weight IDU	lb
Gross Weight IDU	lb
Net Weight ODU	lb
Gross Weight ODU	lb



**COOLING PERFORMANCE (BtuH)\***

Outdoor Ambient DB	Indoor Ambient Temperature							
	68F DB (20C)		73F DB (23C)		80F DB (27C)		82F DB (28C)	
	57F WB (14C)		61F WB (16C)		67F WB (19C)		68F WB (20C)	
	TC	SHC	TC	SHC	TC	SHC	TC	SHC
0°F	5,675	4,451	5,996	4,700	6,723	5,274	6,783	5,320
5°F	5,748	4,508	6,073	4,761	6,854	5,375	6,914	5,423
14°F	5,896	4,624	6,226	4,883	7,115	5,579	7,178	5,629
23°F	6,298	4,940	6,736	5,284	7,719	6,054	7,787	6,108
32°F	7,637	5,990	8,169	6,407	8,947	7,015	9,026	7,077
41°F	8,650	6,784	9,190	7,207	9,821	7,703	9,908	7,771
50°F	8,547	6,705	9,091	7,131	9,731	7,633	9,817	7,700
59°F	8,337	6,538	8,878	6,963	9,641	7,563	9,726	7,630
68°F	8,127	6,373	8,668	6,799	9,461	7,420	9,545	7,486
77°F	7,920	6,212	8,457	6,632	9,280	7,280	9,363	7,344
86°F	7,692	6,033	8,229	6,452	9,010	7,067	9,090	7,130
95°F	7,505	5,887	8,040	6,306	8,893	6,976	8,972	7,038
104°F	7,319	5,740	7,854	6,160	8,776	6,884	8,854	6,945
113°F	6,944	5,445	7,478	5,865	8,403	6,589	8,478	6,648
115°F	6,923	5,429	7,448	5,842	8,371	6,564	8,445	6,622

**HEATING PERFORMANCE (BtuH)\***

Outdoor Ambient DB	Indoor Ambient Temperature							
	68F DB (20C)		73F DB (23C)		80F DB (27C)		86F DB (30C)	
	57F WB (14C)		61F WB (16C)		67F WB (19C)		72F WB (22C)	
	TC	SHC	TC	SHC	TC	SHC	TC	SHC
-4°F	4,985	4,985	4,937	4,937	4,854	4,854	4,658	4,658
0°F	5,400	5,400	5,350	5,350	5,261	5,261	5,044	5,044
6°F	5,697	5,697	5,644	5,644	5,549	5,549	5,320	5,320
10°F	5,935	5,935	5,878	5,878	5,780	5,780	5,543	5,543
16°F	6,113	6,113	6,056	6,056	5,955	5,955	5,709	5,709
19°F	6,234	6,234	6,172	6,172	6,071	6,071	5,819	5,819
24°F	6,926	6,926	6,867	6,867	6,763	6,763	6,513	6,513
32°F	7,734	7,734	7,674	7,674	7,570	7,570	7,321	7,321
41°F	8,657	8,657	8,598	8,598	8,497	8,497	8,244	8,244
43°F	8,888	8,888	8,829	8,829	8,725	8,725	8,476	8,476
47°F	9,693	9,693	9,595	9,595	9,429	9,429	9,019	9,019
53°F	9,791	9,791	9,690	9,690	9,521	9,521	9,108	9,108
59°F	10,014	10,014	9,913	9,913	9,738	9,738	9,316	9,316
64°F	10,227	10,227	10,123	10,123	9,945	9,945	9,515	9,515
70°F	10,420	10,420	10,313	10,313	10,135	10,135	9,696	9,696
75°F	10,566	10,566	10,459	10,459	10,275	10,275	9,830	9,830

\* Maximum system capacity

TC- Total Capacity ( BtuH)

SHC- Sensible Capacity (BtuH)



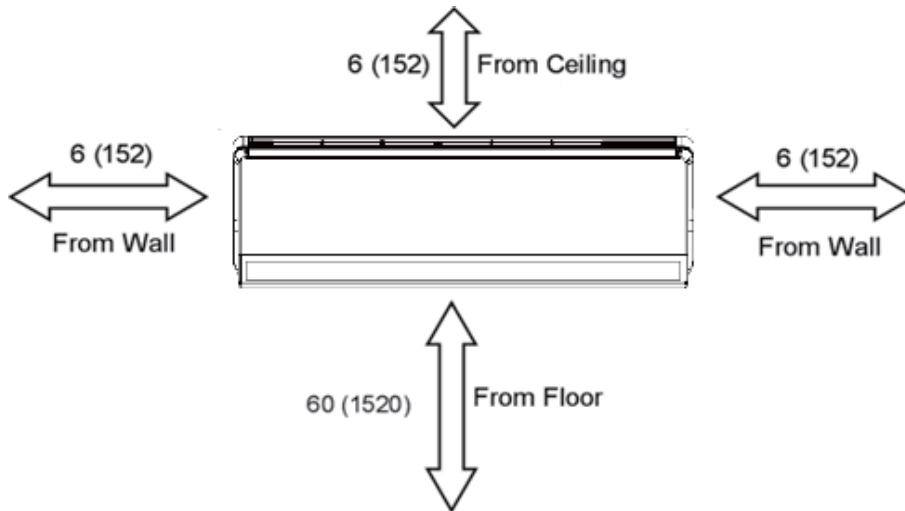
**DIMENSIONAL SPECIFICATIONS**

**KW09HQ1B8D**

**MINIMUM SPACING REQUIREMENTS**

Units: inch (mm)

**INDOOR**



Units: inch (mm)

**OUTDOOR**

