



U-MATCH

24,000 BTUH Ceiling Cassette Heat Pump System

**Model:
KU21-C4U24-3**



Item	Unit	Specification
ODU Model	—	KU21-ODU24-3
IDU Model	—	KU21-C4U24-3
System Ratings		
Cooling Capacity	Btu/h	23,800
Heating Capacity (47°F)	Btu/h	27,200
Heating Capacity (17°F)	Btu/h	15,700
Cooling Capacity Range	Btu/h	8,200-29,000
Heating Capacity Range	Btu/h	8,200-32,400
Cooling Power Input (Max)	W	2,500
Heating Power Input (Max)	W	2,750
SEER	—	18.0
HSPF	—	10.0
EER	W/W	10.7
COP	W/W	3.4
Cooling Operation Range	°F (°C)	0~118.0 (-18.0~48.0)
Heating Operation Range	°F (°C)	0~75.0(-18.0~24.0)
Gas Pipe Size (OD)	Inch	5/8
Liquid Pipe Size (OD)	Inch	3/8
Connection Method	—	Flared
Factory Charge	oz	78.4
Additional Charge	oz/ft	0.6
Pre-Charge Length	ft.	25
MAX Refrigerant Pipe Length	ft.	164
Min Refrigerant Pipe Length	ft.	10
MAX Refrigerant Pipe Elevation	ft.	49
Indoor Unit Data		
Air Flow Volume (Cooling Wet)(Lo/Hi)	CFM	510/765
Air Flow Volume (Heating Dry)(Lo/Hi)	CFM	510/765
Air Flow Distance (max)	ft	13
Sound Pressure Level (Min/Max)	dB(A)	38/46
Dehumidication	pt/hr	1.14
Condensate Drain Lift (Height)	Inch	33
Power Supply	—	208/230 V, 1 Phase, 60 Hz
Min/Max Voltage	V	187 - 253
MCA/ Power Cable Size	A	1.0
MOCP/Breaker Size	A	15
Communication Wire Size	—	18-2 AWG / 300V THHN
Outdoor Unit Data		
Compressor Type	—	DC Inverter Driven Rotary
Compressor RLA	A	18.0
Refrigerant Type	—	R410A
Fan Motor Power Output	HP	1/6
Fan Motor FLA	A	1.5
Sound Pressure Level(Cooling/Heating)	dB(A)	57/57
Power Supply	—	208/230 V, 1 Phase, 60 Hz
Min/Max Voltage	V	187 - 253
Power Supply Wire Size	—	10-3 AWG
MCA/ Power Cable Size	A	24.0
MOCP/Breaker Size	A	40

Job Name:

Schedule Reference:

Date:

Specification are subject to change without notice.



Features & Function Summary

KU21-C4U24-3

SYSTEM FEATURES	
Ultra Low Frequency Torque Control	Yes
Power Factor Correction	Yes
Compressor Type	Rotary
Refrigerant Type	R410A
Basepan With Electric Heater	YES
Compressor With Electric Heater	NO
Outdoor Fin Coating	Acrylic Resin
Intelligent Defrosting	YES
Intelligent Preheating	YES
Low Voltage Startup	YES
Memory/Power Failure Recovery	YES
Self Diagnosis	YES
Low Ambient Cooling	YES
Internal Condensate Pump	YES
XK60 Wired Controller Interface	YES
Wi-Fi Interface	NO
Indoor Fan Type	Crossflow
Multi Fan Speeds	7 Speeds
LED Display Indoor Unit	YES
Advance Filter	Optional
Auxiliary Electrical Heater	NO
Ventilation (Outdoor Air)	NO

REMOTE CONTROLLER FUNCTIONS	
Auto Mode	YES
Auto Fan	YES
Auto Swing (Horizontal Auto Swing)	YES
Auto Swing (Vertical Auto Swing)	YES
Clock on Remote Controller	YES
Dry Mode	YES
Dry Anti-Mildew (X-Fan) Mode	YES
Energy Saving Mode	NO
Dirty Filter Alert	NO
I Feel Function	YES
Lock on Remote Controller	YES
Quiet Mode	YES
Room Temperature Display	NO
Sleep Mode	YES
4 Sleep Modes Options	YES
Timer Mode	YES
Turbo Mode	YES
Display On/Off Control	YES
Freeze Guard Mode	YES



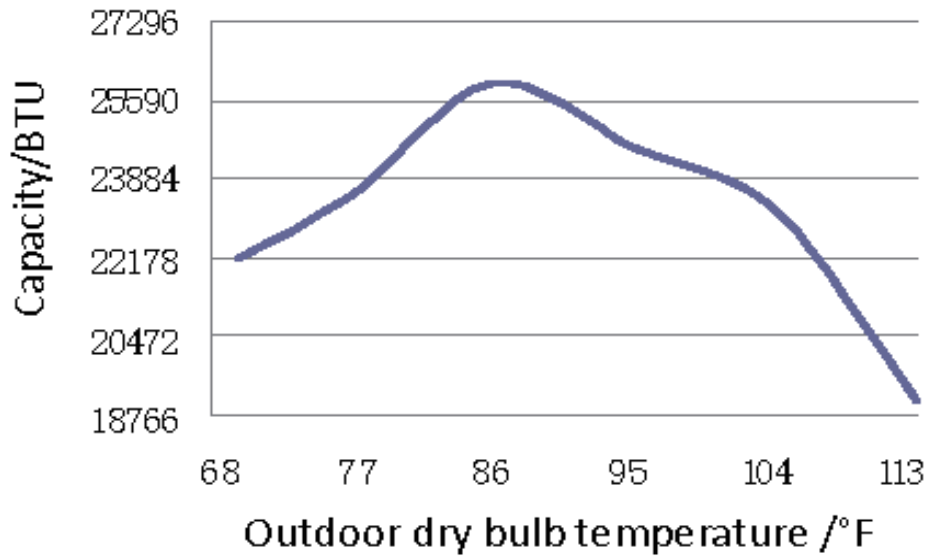


Submittal Data: KU21-C4U24-3

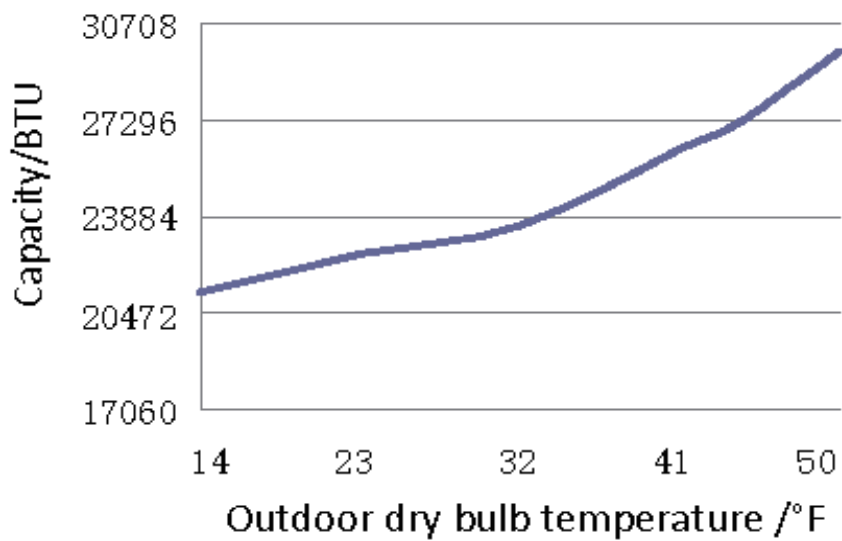
24,000 BTUH Ceiling Cassette Heat Pump System

EXTENDED RATINGS

COOLING PERFORMANCE



HEATING PERFORMANCE



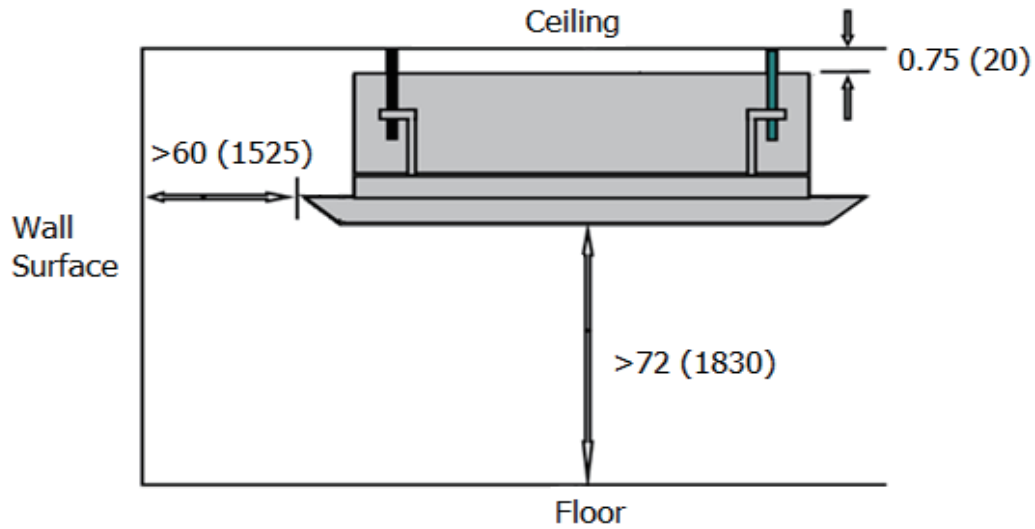


Submittal Data: KU21-C4U24-3

24,000 BTUH Ceiling Cassette Heat Pump System

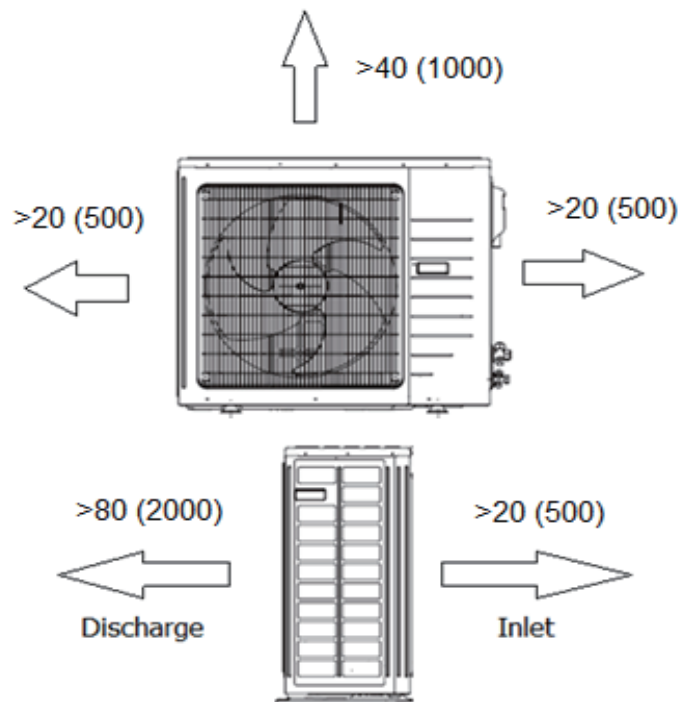
MINIMUM SPACING REQUIREMENTS

INDOOR



Units: inch (mm)

OUTDOOR



Units: inch (mm)

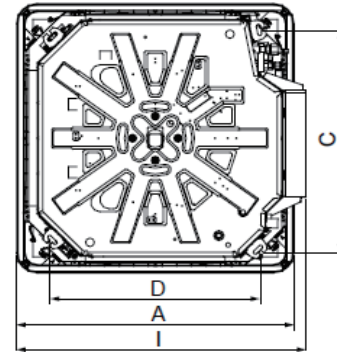
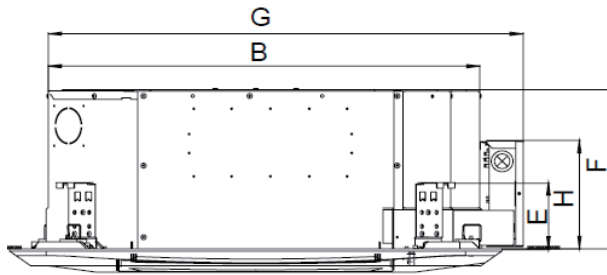


DIMENSIONAL SPECIFICATIONS

KU21-C4U24-3

Units: inch (mm)

INDOOR UNIT DIMENSIONS & WEIGHTS

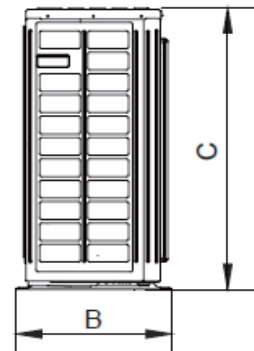
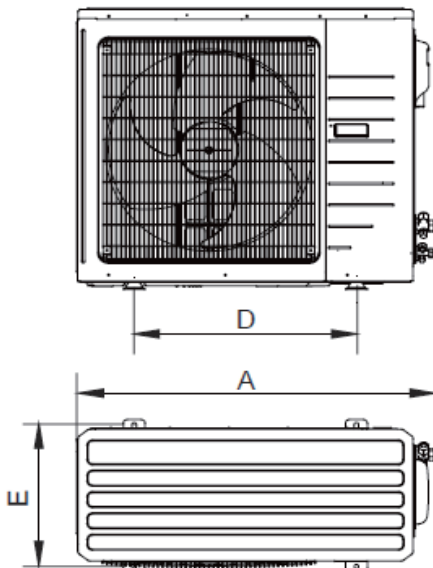


A	B	C	D	E	F	G	H	I
37.375 (950)	32.75 (833)	30.75 (780)	26.75 (680)	6.25 (160)	9.5 (240)	36.125 (917)	8.5 (215)	39.125 (993)

Net Weight	59.4 lbs	Liquid Line Valve	3/8-in OD Flared
Shipping Weight	83.6 lbs	Gas Line Valve	5/8-in OD Flared
		Drain Connector	1-in OD

OUTDOOR UNIT DIMENSIONS & WEIGHTS

Units: inch (mm)



A	38.625 (980)
B	16.75 (427)
C	31.125 (790)
D	24.0 (610)
E	15.5 (395)

Net Weight	151.8 lbs
Shipping Weight	162.8 lbs

Liquid Line Valve	3/8-in OD Flared
Gas Line Valve	5/8-in OD Flared

Notes:

1. Recommended Communication Wire Type 18-2 AWG Stranded Copper THHN 300V Wire
2. Power wiring size must comply with applicable national and local codes.
3. Test conditions are based on AHRI 210/240.

Specifications are subject to change without notice. Manufacturer reserves the right to discontinue or modify specifications or designs without notice or without incurring obligations. All rights reserved.