



U-MATCH

24,000 BTUH Slim Duct Heat Pump System

**Model:
KU21-CDU24-3**



Item	Unit	Specification
ODU Model	—	KU21-ODU24-3
IDU Model	—	KU21-CDU24-3
System Ratings		
Cooling Capacity	Btu/h	23,800
Heating Capacity (47°F)	Btu/h	27,200
Heating Capacity (17°F)	Btu/h	16,700
Cooling Capacity Range	Btu/h	7,400-29,000
Heating Capacity Range	Btu/h	8,200-32,400
Cooling Power Input (Max)	W	2,500
Heating Power Input (Max)	W	2,750
SEER	—	16.0
HSPF	—	10.0
EER	W/W	10.7
COP	W/W	3.4
Cooling Operation Range	°F (°C)	0~118.0 (-18.0~48.0)
Heating Operation Range	°F (°C)	0~75.0(-18.0~24.0)
Gas Pipe Size (OD)	Inch	5/8
Liquid Pipe Size (OD)	Inch	3/8
Connection Method	—	Flared
Factory Charge	oz	78.4
Additional Charge	oz/ft	0.6
Pre-Charge Length	ft.	25
MAX Refrigerant Pipe Length	ft.	164
Min Refrigerant Pipe Length	ft.	10
MAX Refrigerant Pipe Elevation	ft.	49
Indoor Unit Data		
Air Flow Volume (Cooling Wet)(Lo/Hi)	CFM	570/820
Air Flow Volume (Heating Dry)(Lo/Hi)	CFM	570/820
Sound Pressure Level (Min/Max)	dB(A)	40/46
Dehumidication	pt/hr	0.9
Condensate Drain Lift (Height)	in	33
Power Supply	—	208/230 V, 1 Phase, 60 Hz
Min/Max Voltage	V	187 - 253
MCAV Power Cable Size	A	2.0
MOCP/Breaker Size	A	15
Communication Wire Size	—	18-2 AWG / 300V THHN
Outdoor Unit Data		
Compressor Type	—	DC Inverter Driven Rotary
Compressor RLA	A	18.0
Refrigerant Type	—	R410A
Fan Motor Power Output	HP	1/6
Fan Motor FLA	A	1.5
Sound Pressure Level(Cooling/Heating)	dB(A)	57/57
Power Supply	—	208/230 V, 1 Phase, 60 Hz
Min/Max Voltage	V	187 - 253
Power Supply Wire Size	—	10-3 AWG
MCAV Power Cable Size	A	24.0
MOCP/Breaker Size	A	40

Job Name:

Schedule Reference:

Date:

Specification are subject to change without notice.



Features & Function Summary

KU21-CDU24-3

SYSTEM FEATURES

Ultra Low Frequency Torque Control	YES
Power Factor Correction	YES
Compressor Type	Rotary
Refrigerant Type	R410A
Basepan With Electric Heater	YES
Compressor With Electric Heater	NO
Outdoor Fin Coating	Acrylic Resin
Intelligent Defrosting	YES
Intelligent Preheating	YES
Low Voltage Startup	YES
Memory/Power Failure Recovery	YES
Self Diagnosis	YES
Low Ambient Cooling	YES
Internal Condensate Pump	YES
XK60 Wired Controller Interface	YES
Wi-Fi Interface	NO
Indoor Fan Type	Centrifugal
Multi Fan Speeds	3 Speeds
LED Display Indoor Unit	NO
Advance Filter	NO
Auxiliary Electrical Heater	NO
Ventilation (Outdoor Air)	Optional

WIRED CONTROLLER FUNCTIONS

Auto Mode	YES
Auto Fan	YES
Auto Swing (Continuous Sweep)	NO
Adjustable Swing Louvers (5 pos.)	NO
Clock on Remote Controller	YES
Dry Mode	YES
Dry Anti-Mildew (X-Fan) Mode	YES
Energy Saving Mode	NO
Dirty Filter Alert	NO
I Feel Function	YES
Lock on Wired Controller	YES
Quiet Mode	NO
Room Temperature Display (5 sec.)	YES
Sleep Mode	YES
Timer Mode	YES
Turbo Mode	YES
Display On/Off Control	NO
Freeze Guard Mode	YES

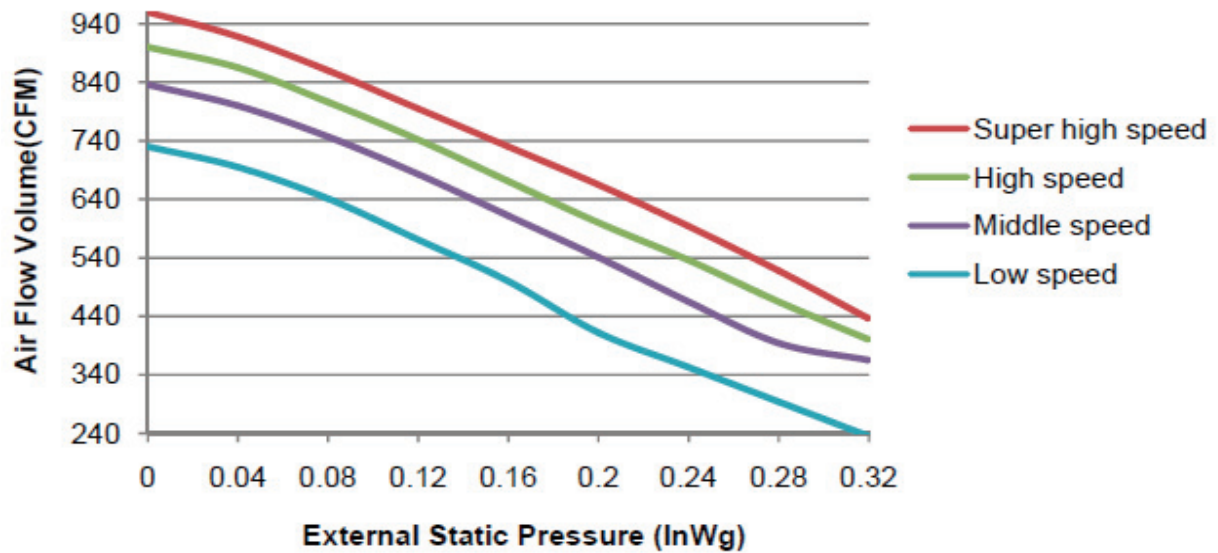




Submittal Data: KU21-CDU24-3

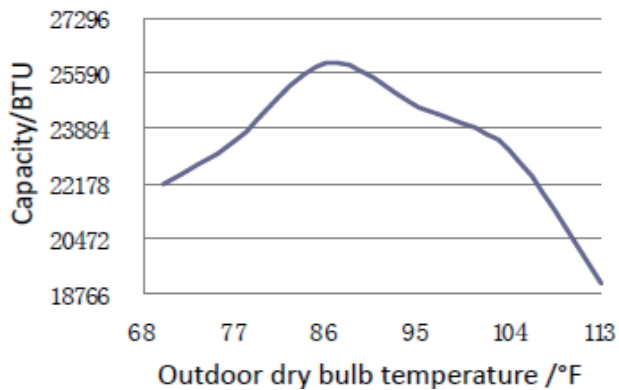
24,000 BTUH Slim Duct Heat Pump System

FAN PERFORMANCE CURVES

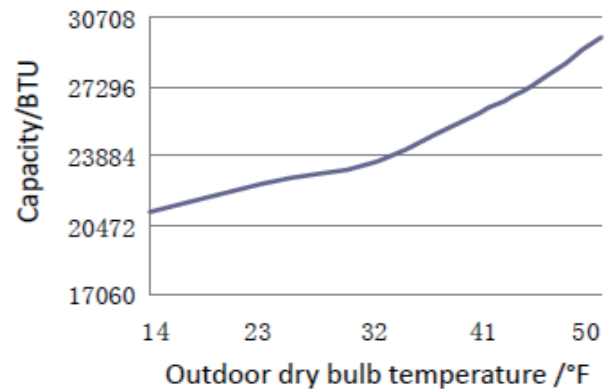


EXTENDED RATINGS

COOLING PERFORMANCE



HEATING PERFORMANCE



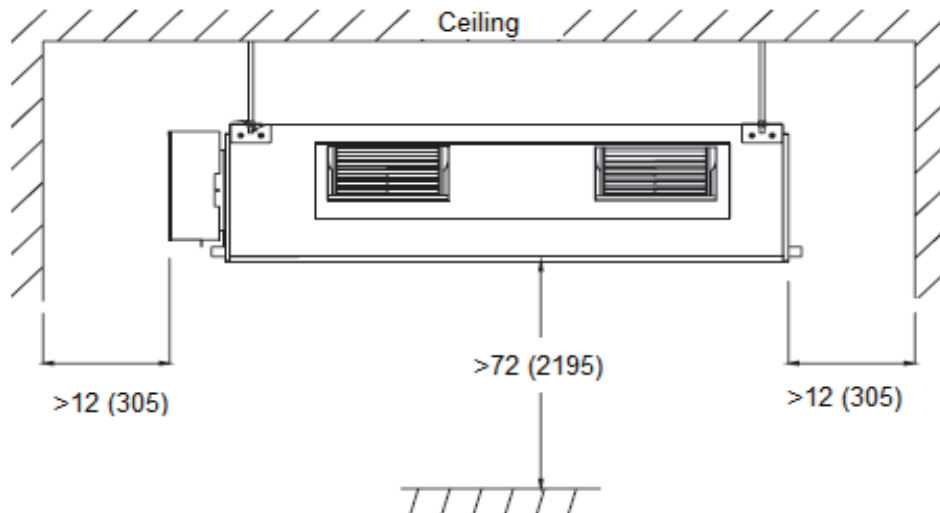


Submittal Data: KU21-CDU24-3

24,000 BTUH Slim Duct Heat Pump System

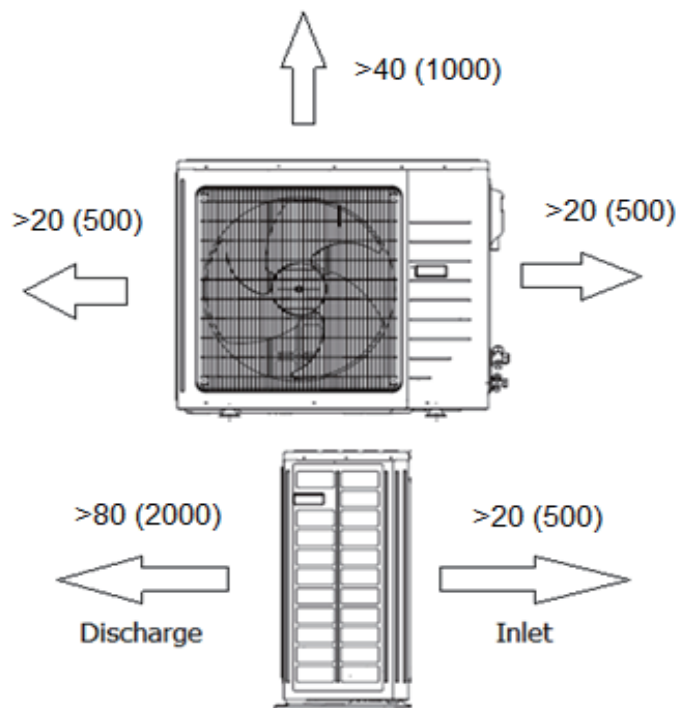
MINIMUM SPACING REQUIREMENTS

INDOOR



Units: inch (mm)

OUTDOOR



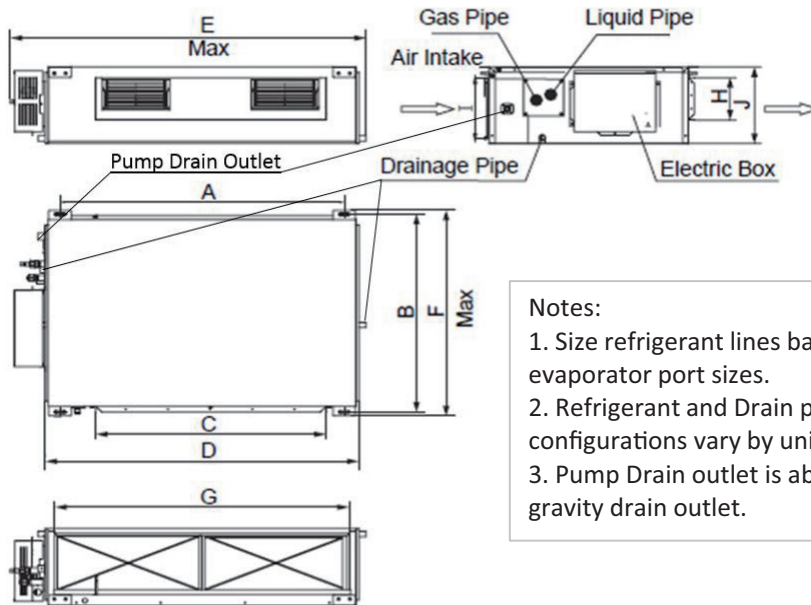
Units: inch (mm)

DIMENSIONAL SPECIFICATIONS

KU21-CDU24-3

Units: inch (mm)

INDOOR UNIT DIMENSIONS & WEIGHTS



Notes:

1. Size refrigerant lines based on evaporator port sizes.
2. Refrigerant and Drain pipe configurations vary by unit size.
3. Pump Drain outlet is above gravity drain outlet.

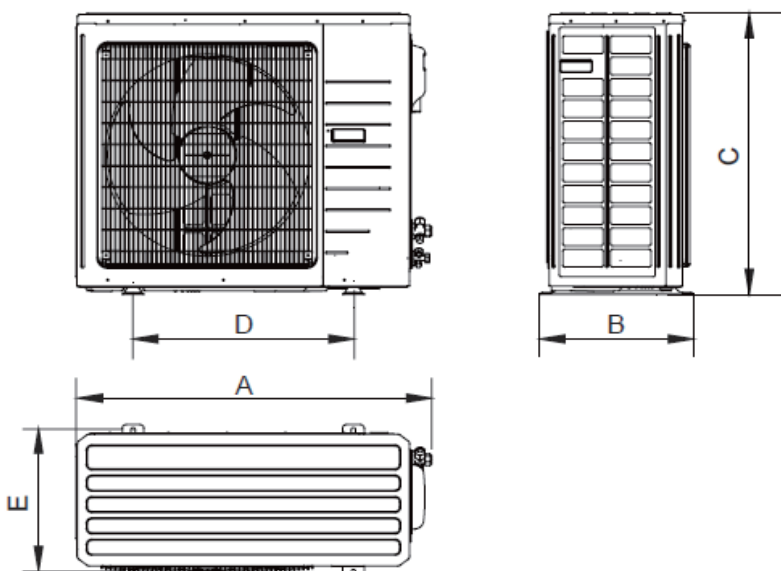
A	43.375	(1101)
B	20.375	(517)
C	32.25	(820)
D	45.625	(1159)
E	50.38	(1279)
F	22.0	(558)
G	39.5	(1002)
H	6.25	(160)
I	9.3	(235)
J	10.5	(268)

Net Weight	74.8 lbs
Shipping Weight	85.8 lbs

Liquid Line Valve	3/8-in OD Flared
Gas Line Valve	5/8-in OD Flared
Drain Connector	13/16 in OD

OUTDOOR UNIT DIMENSIONS & WEIGHTS

Units: inch (mm)



A	38.625	(980)
B	16.75	(427)
C	31.125	(790)
D	24.0	(610)
E	15.5	(395)

Net Weight	151.8 lbs
Shipping Weight	162.8 lbs

Liquid Line Valve	3/8-in OD Flared
Gas Line Valve	5/8-in OD Flared

Notes:

1. Recommended Communication Wire Type 18-2 AWG Stranded Copper THHN 300V Wire
2. Power wiring size must comply with applicable national and local codes for both ID and OD dedicated circuits.
3. Test conditions are based on AHRI 210/240.