



SPLIT TYPE

TULIP

**Model:
KW12HQ3D6D**



Item	Unit	Specification
ODU Model	—	KW12HQ3D6DO
IDU Model	—	KW12HQ3D6DI
System Ratings		
Cooling Capacity	Btu/h	12,000
Heating Capacity (47°F)	Btu/h	12,200
Heating Capacity (17°F)	Btu/h	8,100
Cooling Capacity Range	Btu/h	2,900-15,354
Heating Capacity Range	Btu/h	3,071-18,766
Cooling Power Input (Max)	W	1,500
Heating Power Input (Max)	W	1,600
SEER	—	30.50
HSPF	—	14.00
EER	W/W	4.48
COP	W/W	3.80
Cooling Operation Range	°F(°C)	0~129.0 (-18.0~54.0)
Heating Operation Range	°F(°C)	-22~75.0 (-30.0~24.0)
Gas Pipe Size (OD)	Inch	1/2
Liquid Pipe Size (OD)	Inch	1/4
Connection Method	—	Flared
Factory Charge	oz	49.4
Additional Charge	oz/ft	0.2
Connection Pipe Length	ft.	25
Max Distance Length	ft.	98.4
Min Refrigerant Pipe Length	ft.	10
Max Distance Height	ft.	49.2
Indoor Unit Data		
Fan Motor Power Output	W	60
Fan Motor RLA	A	0.3
Air Flow Volume	CFM	500/471/441/353/324/265/235
Sound Pressure Level	dB(A)	49/46/43/40/37/34/22
Dehumidification	pt/hr	2.96
Power Supply	—	208/230V / 1Ph / 60Hz
Min/Max Voltage	V	187 - 253
MCA	A	9.0
MOCP/Breaker Size	A	15.0
Outdoor Unit Data		
Compressor Type	—	DC Inverter Rotary
Compressor RLA	A	6.9
Refrigerant Type	—	R410A
Fan Motor Power Output	W	30
Fan Motor RLA	A	0.24
Sound Pressure Level	dB(A)	53
Power Supply	—	208/230V / 1Ph / 60Hz
Min/Max Voltage	V	187 - 253
Main Supply Wire Size	—	16-3 AWG
MCA	A	9.0
MOCP/Breaker Size	A	15.0

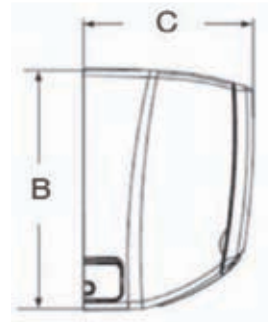
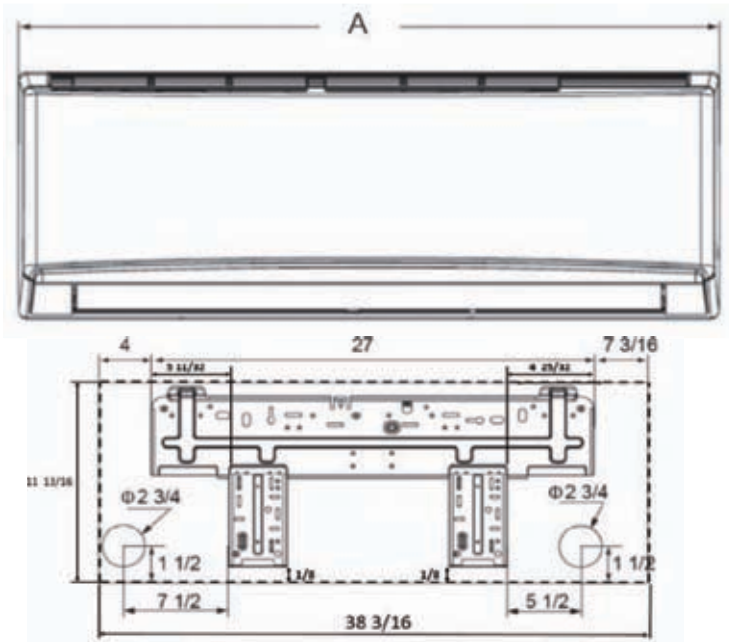
Job Name:

Schedule Reference:

Date:

Specification are subject to change without notice.

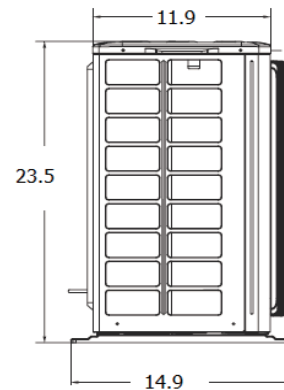
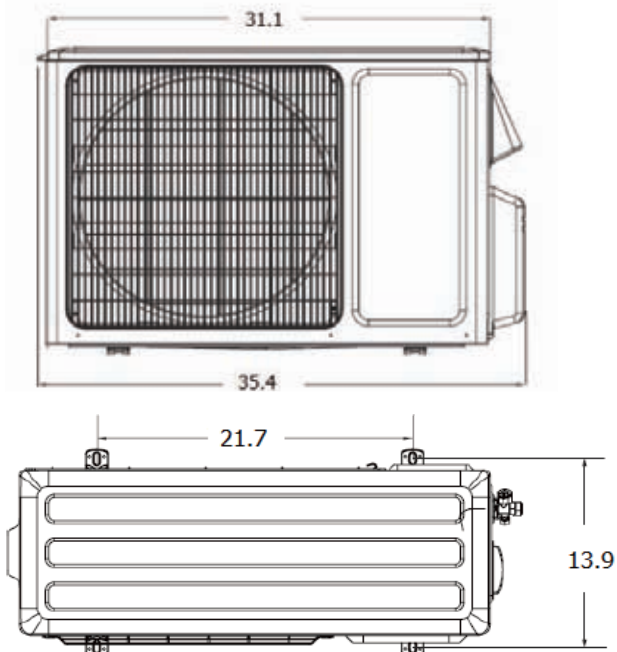
Outline and Physical Dimension of KW12HQ3D6D.



Dimensions	
A	39.9
B	12.1
C	8.7

Liquid Line Valve	1/4-in OD Flared
Gas Line Valve	1/2-in OD Flared
Drain Connector	5/8-in OD

Units: inch



Liquid Line Valve	1/4-in OD Flared
Gas Line Valve	1/2-in OD Flared