



SPLIT TYPE

TULIP

**Model:
KW24HQ3D6D**



Item	Unit	Specification
ODU Model	—	KW24HQ3D6DO
IDU Model	—	KW24HQ3D6DI
System Ratings		
Cooling Capacity	Btu/h	22,000
Heating Capacity (47°F)	Btu/h	24,000
Heating Capacity (17°F)	Btu/h	15,500
Cooling Capacity Range	Btu/h	6,800-30,700
Heating Capacity Range	Btu/h	6,800-32,000
Cooling Power Input (Max)	W	3,700
Heating Power Input (Max)	W	3,700
SEER	—	21.50
HSPF	—	12.00
EER	W/W	3.81
COP	W/W	3.50
Cooling Operation Range	°F(°C)	0~129.0 (-18.0~54.0)
Heating Operation Range	°F(°C)	-22~75.0 (-30.0~24.0)
Gas Pipe Size (OD)	Inch	5/8
Liquid Pipe Size (OD)	Inch	1/4
Connection Method	—	Flared
Factory Charge	oz	81.1
Additional Charge	oz/ft	0.5
Connection Pipe Length	ft.	24.6
Max Distance Length	ft.	164
Min Refrigerant Pipe Length	ft.	10
Max Distance Height	ft.	98.4
Indoor Unit Data		
Fan Motor Power Output	W	70
Fan Motor RLA	A	0.38
Air Flow Volume	CFM	824/765/706/647/588/500/383
Sound Pressure Level	dB(A)	54/49/46/43/40/37/34
Dehumidification	pt/hr	4.23
Power Supply	—	208/230V / 1Ph / 60Hz
Min/Max Voltage	V	187 - 253
MCA	A	22
MOCP/Breaker Size	A	35
Outdoor Unit Data		
Compressor Type	—	DC Inverter Rotary
Compressor RLA	A	16.00
Refrigerant Type	—	R410A
Fan Motor Power Output	W	90
Fan Motor RLA	A	0.65
Sound Pressure Level	dB(A)	59
Power Supply	—	208/230V / 1Ph / 60Hz
Min/Max Voltage	V	187 - 253
Main Supply Wire Size	—	12-3 AWG
MCA	A	22
MOCP/Breaker Size	A	35

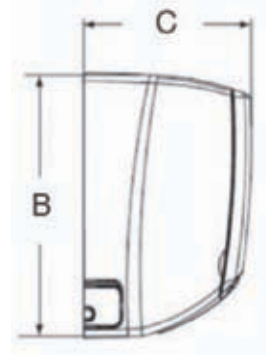
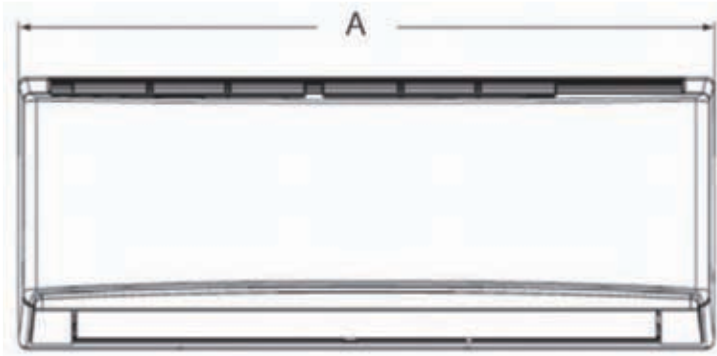
Job Name:

Schedule Reference:

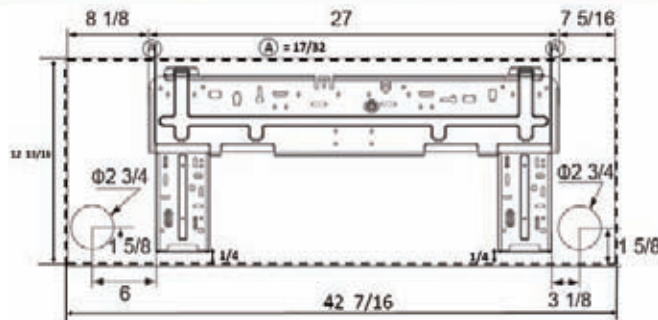
Date:

Specification are subject to change without notice.

Outline and Physical Dimension of KW24HQ3D6D.

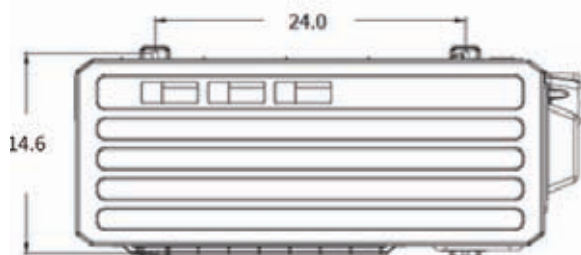
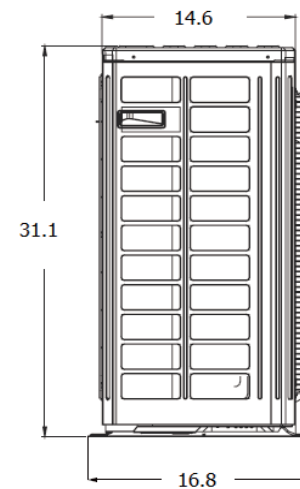
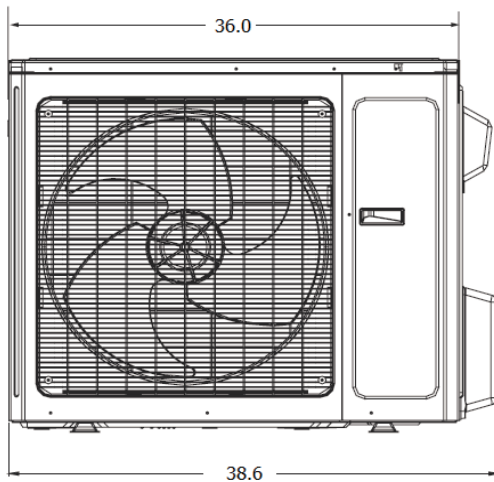


Dimensions	
A	44.2
B	13.0
C	9.7



Liquid Line Valve	1/4-in OD Flared
Gas Line Valve	5/8-in OD Flared
Drain Connector	5/8-in OD

Units: inch



Liquid Line Valve	1/4-in OD Flared
Gas Line Valve	5/8-in OD Flared

Units: inch