

SPLIT TYPE
SUNFLOWER

Model:
KW09HQ25SD



Item	Unit	Specification
ODU Model	—	KW09HQ25SDO
IDU Model	—	KW09HQ25SDI
System Ratings		
Cooling Capacity	Btu/h	9100
Heating Capacity (47°F)	Btu/h	10500
Heating Capacity (17°F)	Btu/h	7000
Cooling Capacity Range	Btu/h	1535~10750
Heating Capacity Range	Btu/h	3412~14670
Cooling Power Input (Max)	W	1013
Heating Power Input (Max)	W	1343
SEER2	—	25.5
HSPF2	—	10.2
EER	W/W	4.31
COP	W/W	3.90
Cooling Operation Range	°F(°C)	-20~122(-29~50)
Heating Operation Range	°F(°C)	-22~86(-30~30)
Gas Pipe Size (OD)	Inch	3/8
Liquid Pipe Size (OD)	Inch	1/4
Connection Method	—	Flared
Factory Charge	oz	35.28
Additional Charge	oz/ft	0.215
Pre-Charge Length	ft.	25
MAX Refrigerant Length	ft.	50
Min Refrigerant Pipe Length	ft.	10
MAX Refrigerant Pipe Elevation	ft.	33
Indoor Unit Data		
Fan Motor Power Output	W	15
Fan Motor FLA	A	0.22
Air Flow Volume	CFM	159/353
Sound Pressure Level	dB(A)	25/40
Dehumidication	pt/hr	1.69
Power Supply	—	230V / 1Ph / 60Hz
Min/Max Voltage	V	208~230
MCA	A	10.0
MOCP/Breaker Size	A	15.0
Outdoor Unit Data		
Compressor Type	—	DC Inverter Rotary
Compressor RLA	A	6.5
Refrigerant Type	—	R410A
Fan Motor Power Output	W	30
Fan Motor FLA	A	0.40
Sound Pressure Level	dB(A)	52
Power Supply	—	230V / 1Ph / 60Hz
Min/Max Voltage	V	208~230
Main Supply Wire Size	—	16AWG
MCA	A	10.0
MOCP/Breaker Size	A	15.0

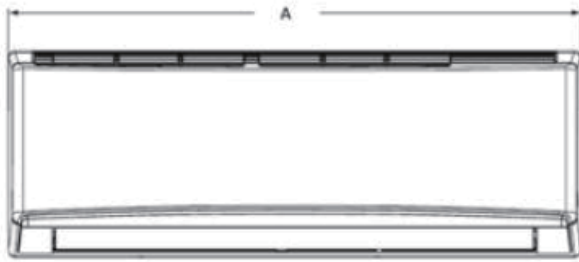
Job Name:

Schedule Reference:

Date:



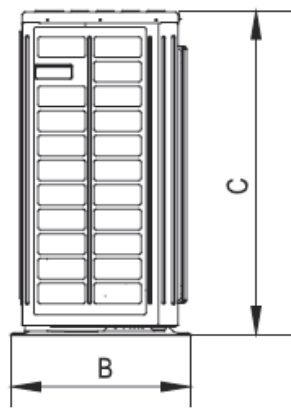
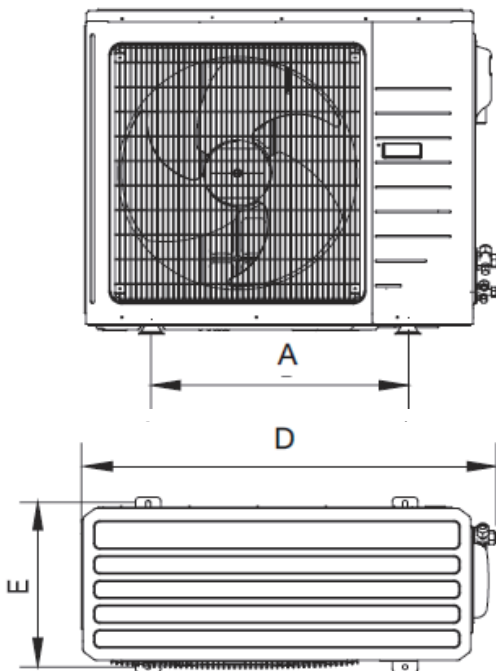
Outline and Physical Dimension of KW09HQ25SD



Dimensions	
A	32 1/2
B	11 1/2
C	7 7/10

Liquid Line Valve	1/4-in OD Flared
Gas Line Valve	3/8-in OD Flared
Drain Connector	5/8-in OD

y



Dimensions	
A	20 1/5
B	13 5/6
C	21 4/5
D	31 3/5
E	13 5/6

y

Liquid Line Valve	1/4-in OD Flared
Gas Line Valve	3/8-in OD Flared

Net Weight IDU	20.9 lb
Gross Weight IDU	25.4 lb
Net Weight ODU	70.6 lb
Gross Weight ODU	76.1 lb





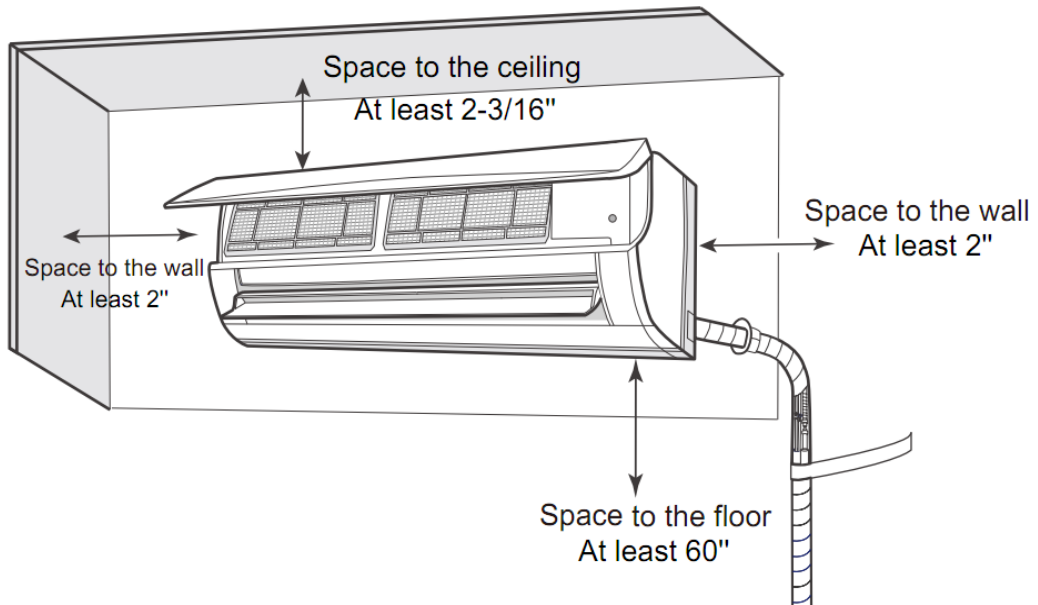
DIMENSIONAL SPECIFICATIONS

KW09HQ25SD

MINIMUM SPACING REQUIREMENTS

Units: inch

INDOOR



Units: inch (mm)

OUTDOOR

