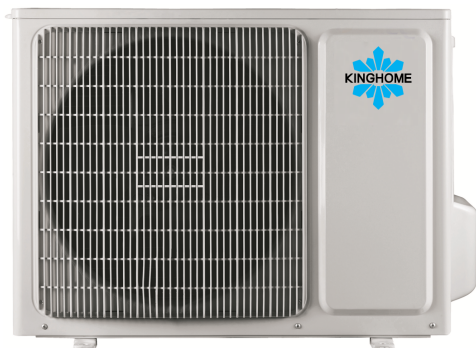


SPLIT TYPE
JASMINE

Model:
KW09HQ3D6D



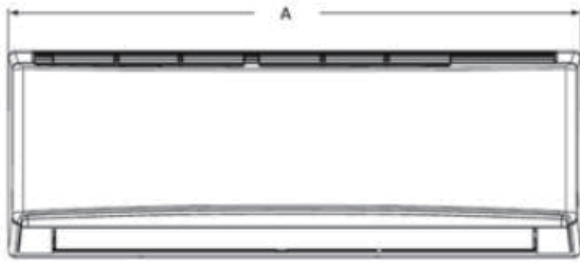
Item	Unit	Specification
ODU Model	—	KW09HQ3D6DO
IDU Model	—	KW09HQ3D6DI
System Ratings		
Cooling Capacity	Btu/h	9000
Heating Capacity (47°F)	Btu/h	9000
Heating Capacity (17°F)	Btu/h	6000
Cooling Capacity Range	Btu/h	1535~12966
Heating Capacity Range	Btu/h	2388~13648
Cooling Power Input (Max)	W	1400
Heating Power Input (Max)	W	1500
SEER2	—	27.0
HSPF2	—	11.0
EER	W/W	4.89
COP	W/W	4.32
Cooling Operation Range	°F(°C)	0~129(-18~54)
Heating Operation Range	°F(°C)	-22~75(-30~24)
Gas Pipe Size (OD)	Inch	1/2
Liquid Pipe Size (OD)	Inch	1/4
Connection Method	—	Flared
Factory Charge	oz	55.4
Additional Charge	oz/ft	0.5
Pre-Charge Length	ft.	25
MAX Refrigerant Length	ft.	131
Min Refrigerant Pipe Length	ft.	10
MAX Refrigerant Pipe Elevation	ft.	82
Indoor Unit Data		
Fan Motor Power Output	W	60
Fan Motor FLA	A	0.09
Air Flow Volume	CFM	206/424
Sound Pressure Level	dB(A)	22/46
Dehumidication	pt/hr	1.69
Power Supply	—	230V / 1Ph / 60Hz
Min/Max Voltage	V	208~230
MCA	A	9.0
MOCP/Breaker Size	A	20.0
Outdoor Unit Data		
Compressor Type	—	DC Inverter Rotary
Compressor RLA	A	6.9
Refrigerant Type	—	R410A
Fan Motor Power Output	W	30
Fan Motor FLA	A	0.28
Sound Pressure Level	dB(A)	57
Power Supply	—	230V / 1Ph / 60Hz
Min/Max Voltage	V	208~230
Main Supply Wire Size	—	12AWG
MCA	A	16.0
MOCP/Breaker Size	A	20.0

Job Name:

Schedule Reference:

Date:

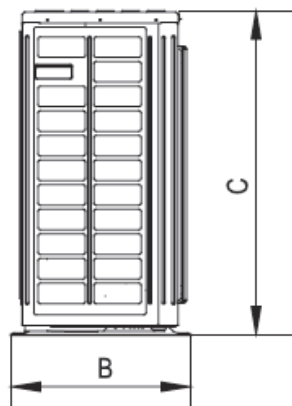
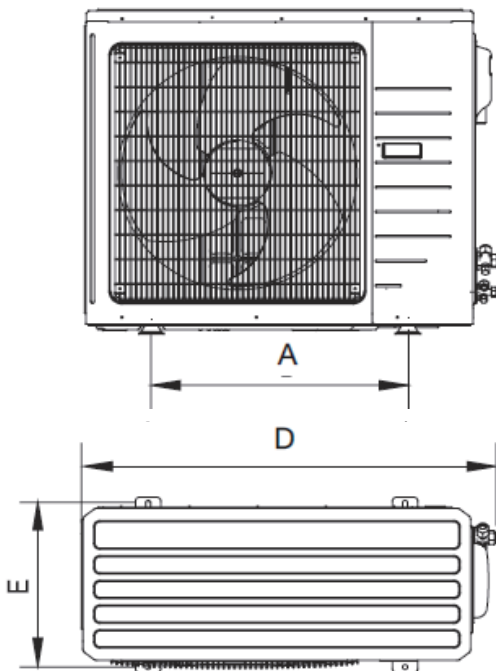
Outline and Physical Dimension of KW09HQ3D6D



Dimensions	
A	38 1/5
B	11 4/5
C	8 4/5

Liquid Line Valve	1/4-in OD Flared
Gas Line Valve	1/2-in OD Flared
Drain Connector	1/2-in OD

y



Dimensions	
A	28
B	14 4/5
C	23 1/2
D	35 1/3
E	14 4/5

y

Liquid Line Valve	1/4-in OD Flared
Gas Line Valve	1/2-in OD Flared

Net Weight IDU	29.8 lb
Gross Weight IDU	36.4 lb
Net Weight ODU	99.2 lb
Gross Weight ODU	105.8 lb





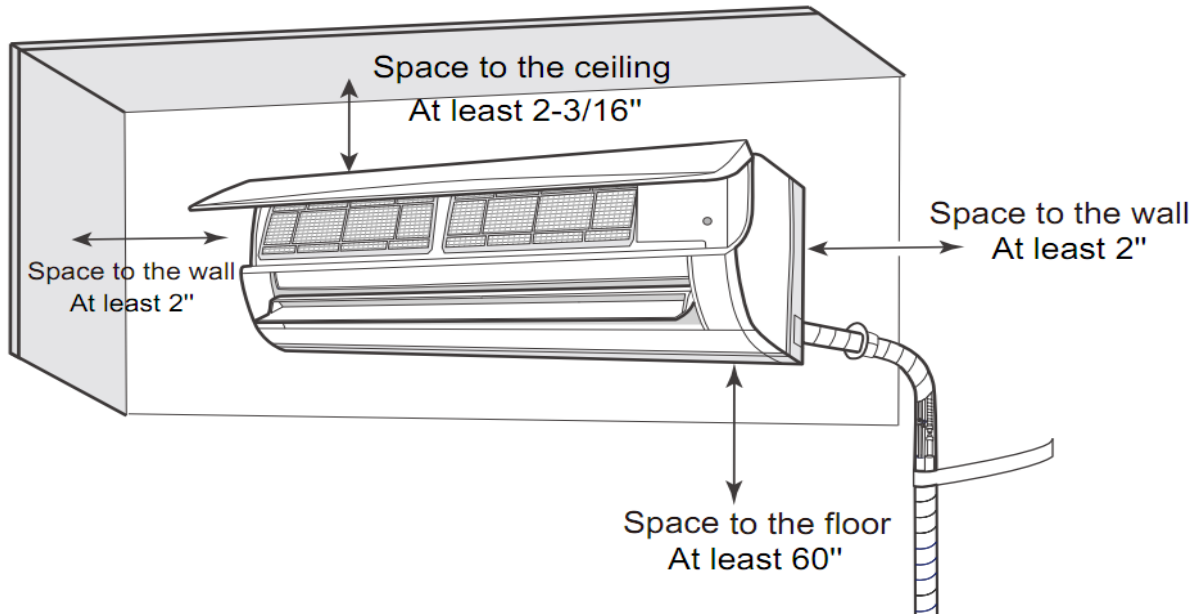
DIMENSIONAL SPECIFICATIONS

KW09HQ3D6D

MINIMUM SPACING REQUIREMENTS

Units: inch

INDOOR



Units: inch (mm)

OUTDOOR

