



**MULTI**

# Ultra Heat Multi Zone Outdoor Unit

**Model:  
KM18UH50**



Item	Unit	Specification
Model	—	KM18UH50
Rated Cooling Capacity	W	5300
	Btu/h	18,000
Rated Heating Capacity (47°F)	W	6150
	Btu/h	21,000
Rated Heating Capacity (17°F)	W	5300
	Btu/h	18000
Cooling Capacity Range	W	2,051-6,155
	Btu/h	6,998-21,001
Heating Capacity Range (47°F)	W	2,052-7,600
	Btu/h	7,000-26,000
Max Heating Capacity (17°F)	W	2052-5300
	Btu/h	7000-21000
Cooling Power Input (Max)	W	1,450
Heating Power Input (Max)	W	1,710
SEER	—	23
HSPF	—	10.5
EER	W/W	3.66
COP	W/W	3.6
Cooling Operation Range	°F(°C)	0~118.4 (-18.0~48.0)
Heating Operation Range	°F(°C)	-31~75.2 (-35~24)
Power Supply	—	208/230V / 1Ph / 60Hz
Min/Max Voltage	V	187/253
Main Supply Wire Size	—	AWG10
Interconnecting Cable Wire Size	—	AWG18
MCA	A	20
MOCP/Breaker Size	A	35
Compressor Type	—	DC Inverter Rotary
Compressor RLA	A	14.9
Fan Motor Power Output	W	90
Fan Motor FLA	A	0.5
Fan Motor Air Flow (Max)	CFM	2531
Sound Pressure Level	dB(A)	58
Unit Dimensions (W×H×D)	mm	1003×790×427
	Inch	39-31/64×31-7/64×16-13/32
Weight (Net/Shipping)	kg	78/83
	lbs	172/183
Min Number of Indoor Units	—	1
Max Number of Indoor Units	—	2
Refrigerant Type	—	R410A
Connection Method	—	Flared
Factory Charge	oz	77.6
Additional Charge	oz/ft	0.2
Total Refrigerant Pipe Length	m	50
	ft.	164
MAX Refrigerant Pipe Length	m	25
	ft.	82
MAX Refrigerant Pipe Elevation between indoor units	m	8
	ft.	26.2
MAX Lift from Outdoor to Indoor Unit	m	8
	ft.	26.2
MAX Drop from Outdoor to Indoor Unit	m	8
	ft.	26.2

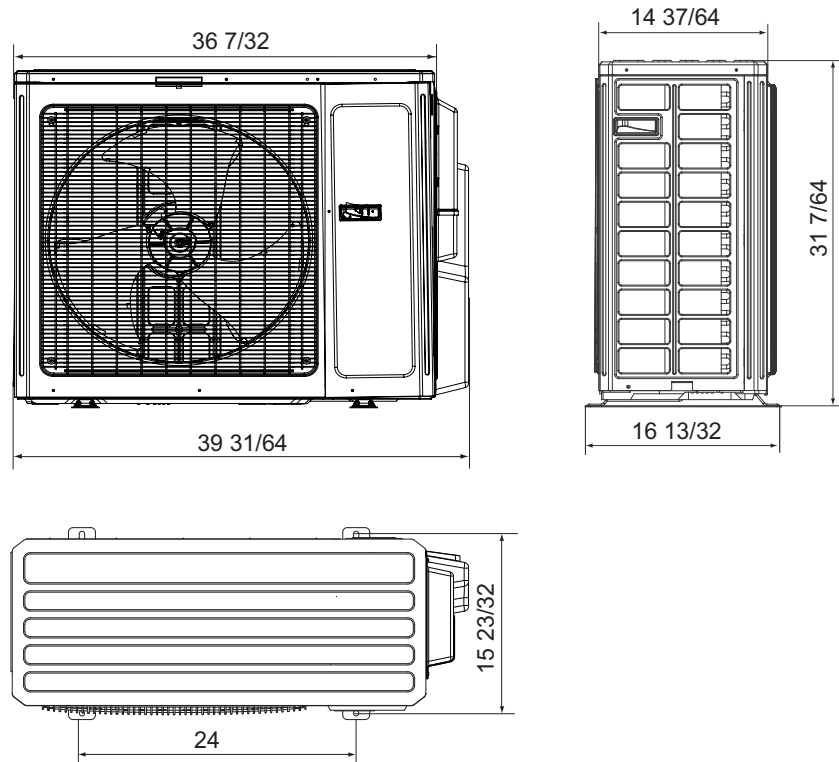
**Job Name:**

**Schedule Reference:**

**Date:**

Specification are subject to change without notice.

## Outline and Physical Dimensions of KM18UH5O.

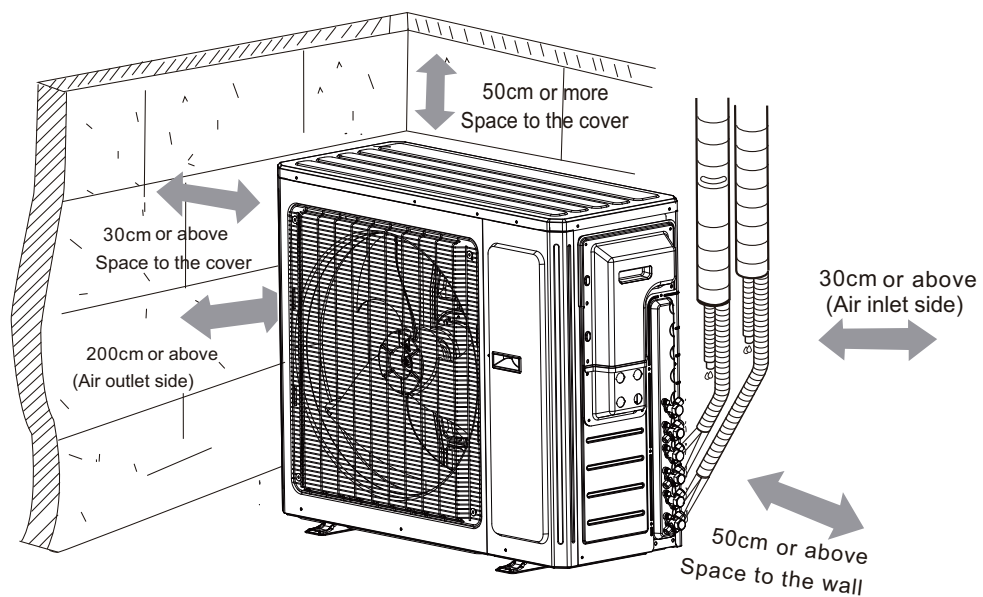


Unit:inch

Suction/Gas Line Port Size	
Port #1	3/8 Inch (φ9.52) OD Flared
Port #2	3/8 Inch (φ9.52) OD Flared

Liquid Line Port Size	
Port #1	1/4 Inch (φ6) OD Flared
Port #2	1/4 Inch (φ6) OD Flared

## MINIMUM SPACING REQUIREMENTS





# OPERATIONAL PERFORMANCE SPECIFICATIONS

## EXTENDED RATINGS

MULTI18HP230V1CO

### COOLING PERFORMANCE

DB WB		Indoor Ambient Temperature											
		70°F (21°C) 59°F (15°C)			75°F (24°C) 63°F (17°C)			80°F (27°C) 67°F (19°C)			90°F (32°C) 73°F (23°C)		
		TC (BtuH)	SC (BtuH)	Input Power (watts)	TC (BtuH)	SC (BtuH)	Input Power (watts)	TC (BtuH)	SC (BtuH)	Input Power (watts)	TC (BtuH)	SC (BtuH)	Input Power (watts)
Outdoor Ambient Temperature (DB)	5 (-15°C)	11,573	9,076	727	12,235	9,586	749	13,473	10,571	799	15,560	12,193	854
	10 (-12°C)	11,836	9,282	737	12,508	9,803	760	13,943	10,938	810	15,910	12,471	867
	14 (-10°C)	12,122	9,507	742	12,806	10,040	765	14,453	11,336	816	16,289	12,773	873
	17 (-8°C)	12,432	9,751	742	13,129	10,296	765	15,004	11,765	816	16,701	13,100	873
	23 (-5°C)	13,281	10,418	742	14,206	11,143	765	16,277	12,766	810	17,904	14,043	867
	59 (15°C)	16,106	12,631	856	17,227	13,510	878	18,867	14,793	935	21,717	17,032	1,003
	70 (21°C)	18,240	14,306	1,258	19,380	15,197	1,298	20,710	16,243	1,377	23,750	18,630	1,473
	75 (24°C)	18,025	14,139	1,292	19,171	15,037	1,332	20,520	16,096	1,417	23,560	18,476	1,519
	80 (27°C)	17,581	13,786	1,349	18,721	14,684	1,394	20,330	15,948	1,479	23,180	18,180	1,587
	85 (30°C)	17,138	13,440	1,445	18,278	14,338	1,490	19,950	15,647	1,581	22,832	17,905	1,694
	90 (32°C)	16,701	13,100	1,507	17,835	13,985	1,553	19,570	15,351	1,649	22,376	17,552	1,768
	95 (35°C)	16,220	12,721	1,553	17,353	13,607	1,598	19,000	14,902	1,700	21,869	17,154	1,819
	100 (38°C)	15,827	12,413	1,575	16,954	13,299	1,626	18,753	14,710	1,728	21,476	16,846	1,853
	105 (40°C)	15,434	12,105	1,604	16,562	12,991	1,655	18,506	14,517	1,757	21,084	16,532	1,881
	110 (43°C)	15,035	11,791	1,621	16,169	12,676	1,672	18,113	14,203	1,779	20,685	16,224	1,904
115 (46°C)	14,643	11,483	1,638	15,770	12,368	1,689	17,721	13,895	1,796	20,292	15,916	1,921	
118 (48°C)	14,250	11,175	1,655	15,200	11,919	1,706	17,100	13,414	1,813	19,570	15,351	1,938	

### HEATING PERFORMANCE

DB WB		Indoor Ambient Temperature											
		70°F (21°C) 59°F (15°C)			75°F (24°C) 63°F (17°C)			80°F (27°C) 67°F (19°C)			90°F (32°C) 73°F (23°C)		
		TC (BtuH)	SC (BtuH)	Input Power (watts)	TC (BtuH)	SC (BtuH)	Input Power (watts)	TC (BtuH)	SC (BtuH)	Input Power (watts)	TC (BtuH)	Input Power (watts)	Input Power (watts)
Outdoor Ambient Temperature (DB)	-22 (-30°C)	18,902	18,902	4,918	18,401	18,401	5,031	18,030	18,030	5,132			
	-13 (-25°C)	20,698	20,698	4,988	20,160	20,160	5,103	19,762	19,762	5,205			
	-4 (-20°C)	22,479	22,479	4,285	21,906	21,906	4,385	21,482	21,482	4,472			
	0.4 (-18°C)	22,148	22,148	4,203	21,565	21,565	4,300	21,130	21,130	4,386			
	6 (-14°C)	22,251	22,251	4,066	21,672	21,672	4,160	21,245	21,245	4,244			
	10 (-12°C)	22,498	22,498	4,027	21,913	21,913	4,121	21,475	21,475	4,203			
	16 (-9°C)	22,072	22,072	3,884	21,492	21,492	3,973	21,053	21,053	4,053			
	19 (-7°C)	21,778	21,778	3,474	21,478	21,478	3,555	21,036	21,036	3,626			
	24 (-4°C)	21,108	21,108	3,130	20,856	20,856	3,202	20,478	20,478	3,266			
	32 (0°C)	20,566	20,566	2,942	20,339	20,339	3,010	20,008	20,008	3,071			
	41 (5°C)	21,375	21,375	2,723	21,165	21,165	2,786	20,848	20,848	2,842			
	43 (6°C)	21,960	21,960	2,130	21,750	21,750	2,179	21,440	21,440	2,223			
	47 (8.3°C)	24,000	24,000	2,179	23,340	23,340	2,229	22,846	22,846	2,274			
	53 (12°C)	24,240	24,240	1,980	23,573	23,573	2,026	23,079	23,079	2,066			
	59 (15°C)	22,316	22,316	1,999	21,695	21,695	2,045	21,236	21,236	2,086			
	64 (18°C)	22,788	22,788	1,833	22,160	22,160	1,876	21,695	21,695	1,913			
	70 (21°C)	23,220	23,220	1,862	22,579	22,579	1,905	22,100	22,100	1,943			
	75 (24°C)	23,544	23,544	1,701	22,896	22,896	1,741	22,417	22,417	1,775			
78 (26°C)	23,760	23,760	1,717	23,105	23,105	1,756	22,619	22,619	1,791				

#### LEGEND

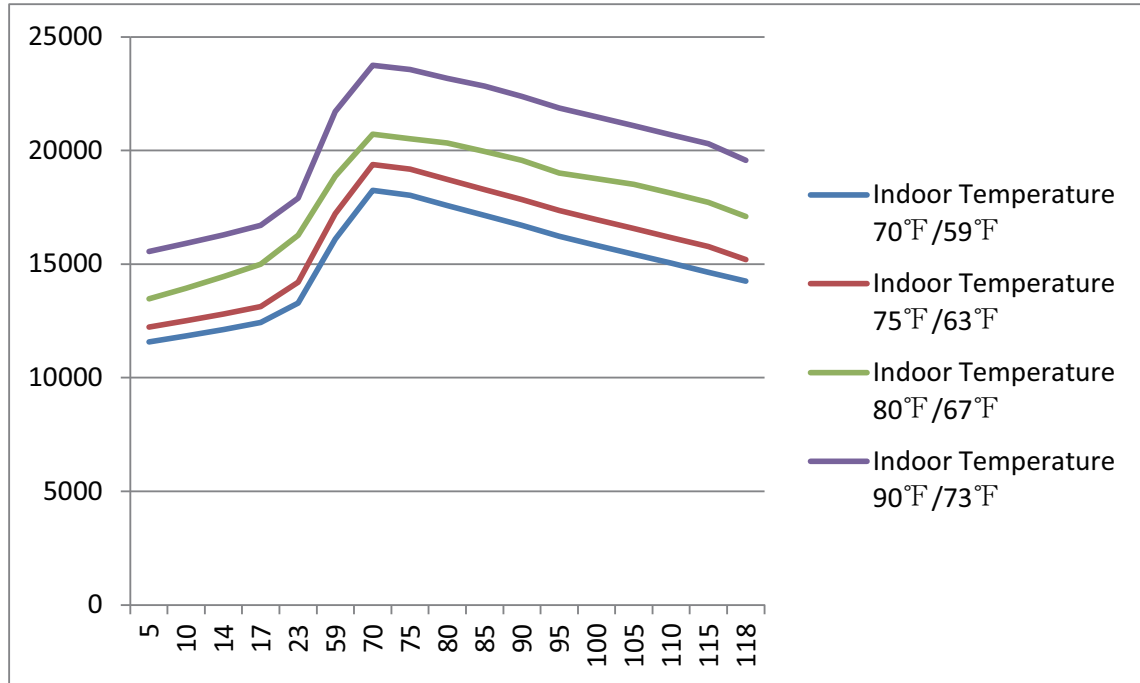
DB --- Dry Bulb  
WB --- Wet Bulb

TC --- Total Net Cooling Capacity (BtuH)  
SC --- Sensible Capacity (BtuH)  
Input Power --- (Watts)

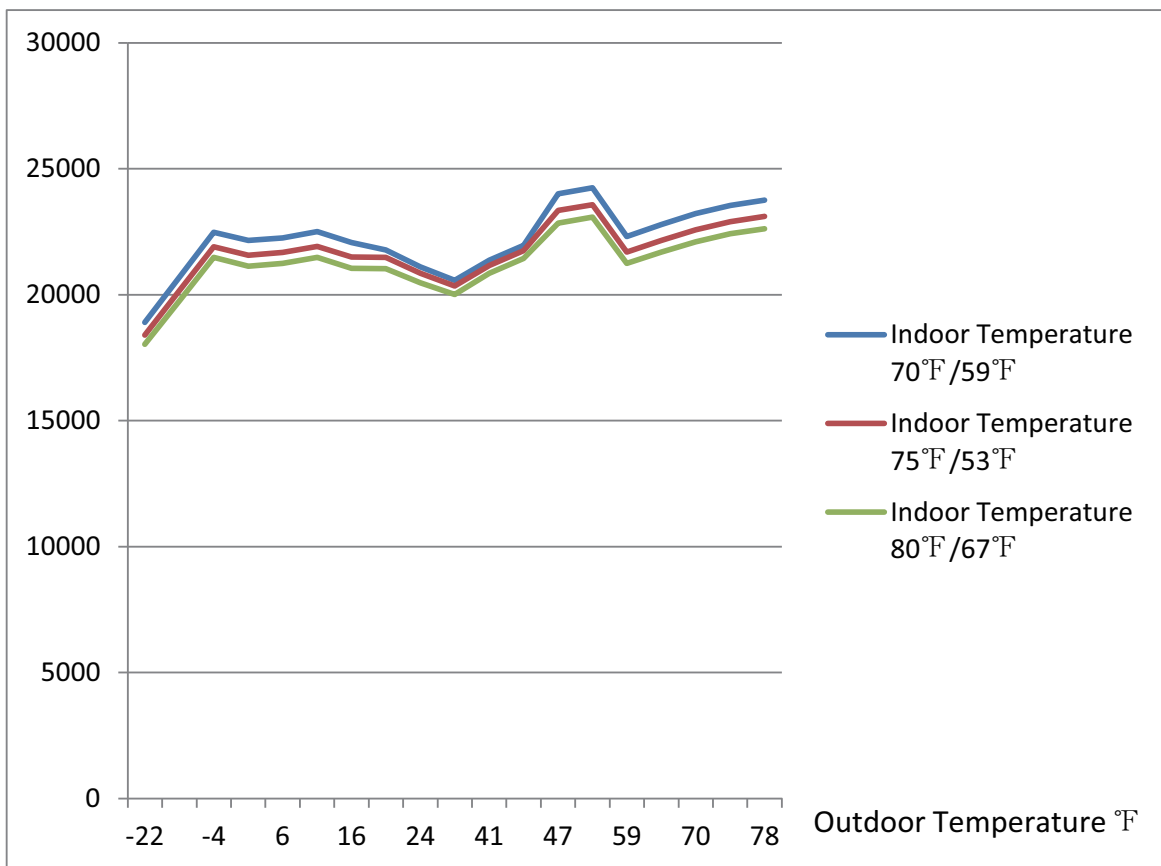
Specifications are subject to change without notice. Manufacturer reserves the right to discontinue or modify specifications or designs without notice or without incurring obligations. All rights reserved.



### Cooling Capacity (Btu)



### Heating Capacity (Btu)





**MULTI**

# Ultra Heat Multi Zone Outdoor Unit

**Model:  
KM24UH50**



Item	Unit	Specification
Model	—	KM24UH50
Rated Cooling Capacity	W	6450
	Btu/h	22,000
Rated Heating Capacity (47°F)	W	7650
	Btu/h	26,000
Rated Heating Capacity (17°F)	W	6,450
	Btu/h	22000
Cooling Capacity Range	W	2,198-9,672
	Btu/h	7,500-33,000
Heating Capacity Range (47°F)	W	2,198-9,100
	Btu/h	7,500-31,000
Max Heating Capacity (17°F)	W	2198-6450
	Btu/h	7500-22000
Cooling Power Input (Max)	W	1,760
Heating Power Input (Max)	W	2,090
SEER	—	23
HSPF	—	10.5
EER	W/W	3.66
COP	W/W	3.66
Cooling Operation Range	°F(°C)	0~118.4 (-18.0~48.0)
Heating Operation Range	°F(°C)	-31~75.2 (-35~24)
Power Supply	—	208/230V / 1Ph / 60Hz
Min/Max Voltage	V	187/253
Main Supply Wire Size	—	AWG10
Interconnecting Cable Wire Size	—	AWG18
MCA	A	23
MOCP/Breaker Size	A	40
Compressor Type	—	DC Inverter Rotary
Compressor RLA	A	17
Fan Motor Power Output	W	90
Fan Motor FLA	A	1.2
Fan Motor Air Flow (Max)	CFM	2531
Sound Pressure Level	dB(A)	60
Unit Dimensions (W×H×D)	mm	1003×790×427
	Inch	39-31/64×31-7/64×16-13/32
Weight (Net/Shipping)	kg	79/84
	lbs	172/185
Min Number of Indoor Units	—	1
Max Number of Indoor Units	—	3
Refrigerant Type	—	R410A
Connection Method	—	Flared
Factory Charge	oz	95.2
Additional Charge	oz/ft	0.2
Total Refrigerant Pipe Length	m	70
	ft.	229.7
MAX Refrigerant Pipe Length	m	25
	ft.	82
MAX Refrigerant Pipe Elevation between indoor units	m	8
	ft.	26.2
MAX Lift from Outdoor to Indoor Unit	m	8
	ft.	26.2
MAX Drop from Outdoor to Indoor Unit	m	8
	ft.	26.2

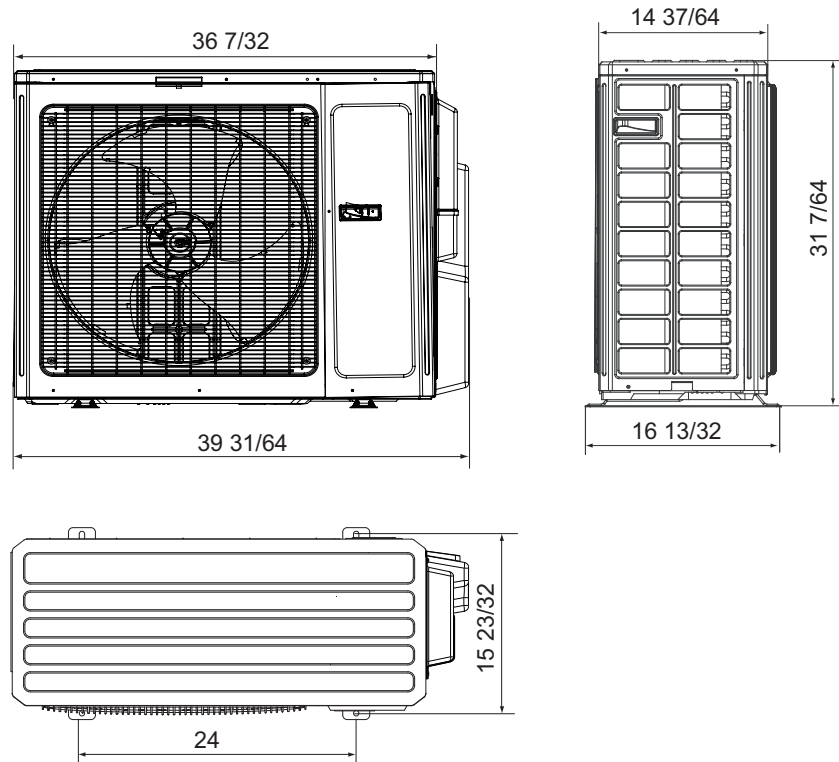
**Job Name:**

**Schedule Reference:**

**Date:**

Specification are subject to change without notice.

## Outline and Physical Dimensions of KM24UH5O.

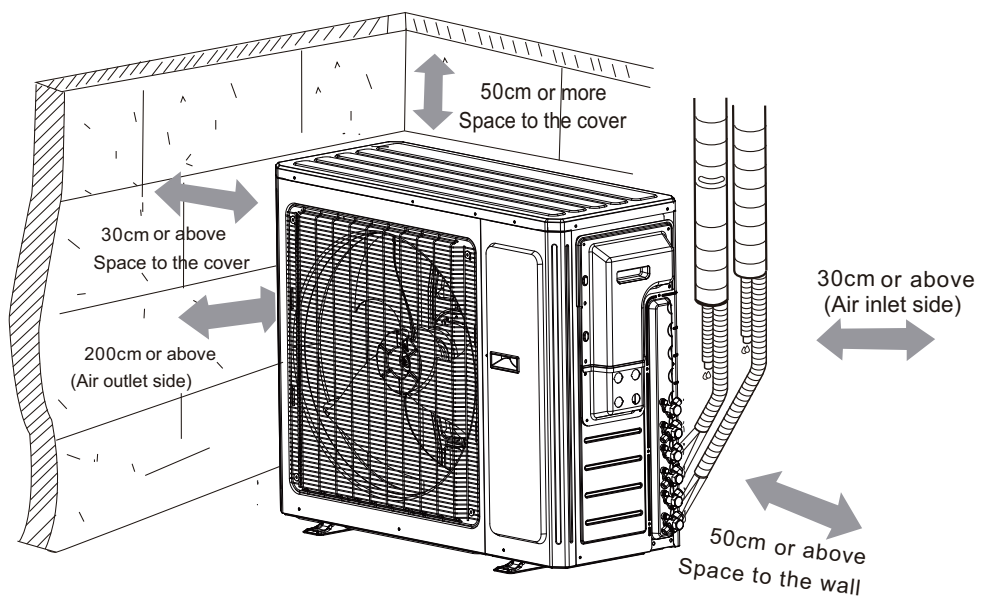


Unit:inch

Suction/Gas Line Port Size	
Port #1	3/8 Inch (φ9.52) OD Flared
Port #2	3/8 Inch (φ9.52) OD Flared
Port #3	3/8 Inch (φ9.52) OD Flared

Liquid Line Port Size	
Port #1	1/4 Inch (φ6) OD Flared
Port #2	1/4 Inch (φ6) OD Flared
Port #3	1/4 Inch (φ6) OD Flared

## MINIMUM SPACING REQUIREMENTS





# OPERATIONAL PERFORMANCE SPECIFICATIONS

EXTENDED RATINGS

MULTI24HP230V1CO

## COOLING PERFORMANCE

DB WB	Indoor Ambient Temperature												
	70°F (21°C) 59°F (15°C)			75°F (24°C) 63°F (17°C)			80°F (27°C) 67°F (19°C)			90°F (32°C) 73°F (23°C)			
	TC (BtuH)	SC (BtuH)	Input Power (watts)	TC (BtuH)	SC (BtuH)	Input Power (watts)	TC (BtuH)	SC (BtuH)	Input Power (watts)	TC (BtuH)	SC (BtuH)	Input Power (watts)	
Outdoor Ambient Temperature (DB)	5 (-15°C)	17,664	13,852	1,368	18,674	14,631	1,409	20,564	16,135	1,504	23,750	18,610	1,608
	10 (-12°C)	18,065	14,168	1,387	19,092	14,963	1,430	21,282	16,695	1,525	24,283	19,034	1,631
	14 (-10°C)	18,502	14,511	1,397	19,546	15,324	1,440	22,059	17,302	1,536	24,863	19,495	1,643
	17 (-8°C)	18,976	14,883	1,397	20,039	15,715	1,440	22,900	17,958	1,536	25,491	19,994	1,643
	23 (-5°C)	20,271	15,901	1,397	21,682	17,008	1,440	24,843	19,485	1,525	27,328	21,434	1,632
	59 (15°C)	24,582	19,279	1,611	26,293	20,621	1,653	28,797	22,579	1,760	33,147	25,996	1,888
	70 (21°C)	27,840	21,835	2,368	29,580	23,196	2,443	31,610	24,792	2,592	36,250	28,435	2,773
	75 (24°C)	27,511	21,580	2,432	29,261	22,951	2,507	31,320	24,567	2,667	35,960	28,200	2,859
	80 (27°C)	26,835	21,042	2,539	28,575	22,413	2,624	31,030	24,342	2,784	35,380	27,749	2,987
	85 (30°C)	26,158	20,513	2,720	27,898	21,884	2,805	30,450	23,882	2,976	34,848	27,328	3,189
	90 (32°C)	25,491	19,994	2,837	27,221	21,346	2,923	29,870	23,431	3,104	34,152	26,790	3,328
	95 (35°C)	24,756	19,417	2,923	26,487	20,768	3,008	29,000	22,746	3,200	33,379	26,182	3,424
	100 (38°C)	24,157	18,947	2,965	25,878	20,298	3,061	28,623	22,452	3,253	32,780	25,712	3,488
	105 (40°C)	23,558	18,477	3,019	25,278	19,828	3,115	28,246	22,158	3,307	32,180	25,233	3,541
110 (43°C)	22,949	17,997	3,051	24,679	19,348	3,147	27,647	21,678	3,349	31,571	24,763	3,584	
115 (46°C)	22,349	17,527	3,083	24,070	18,878	3,179	27,047	21,208	3,381	30,972	24,293	3,616	
118 (48°C)	21,750	17,057	3,115	23,200	18,193	3,211	26,100	20,474	3,413	29,870	23,431	3,648	

## HEATING PERFORMANCE

DB WB	Indoor Ambient Temperature											
	70°F (21°C) 59°F (15°C)			75°F (24°C) 63°F (17°C)			80°F (27°C) 67°F (19°C)			90°F (32°C) 73°F (23°C)		
DB	TC (BtuH)	SC (BtuH)	Input Power (watts)	TC (BtuH)	SC (BtuH)	Input Power (watts)	TC (BtuH)	SC (BtuH)	Input Power (watts)	TC (BtuH)	SC (BtuH)	Input Power (watts)
-22 (-30°C)	24,954	24,954	5,502	24,292	24,292	5,629	23,801	23,801	5,742			
-13 (-25°C)	27,324	27,324	5,581	26,614	26,614	5,710	26,089	26,089	5,824			
Outdoor Ambient Temperature (DB)	-4 (-20°C)	31,846	31,846	5,420	31,034	31,034	5,545	30,433	30,433	5,656		
	0.4 (-18°C)	31,376	31,376	5,513	30,550	30,550	5,641	29,933	29,933	5,753		
	6 (-14°C)	31,523	31,523	5,237	30,703	30,703	5,358	30,097	30,097	5,465		
	10 (-12°C)	31,872	31,872	5,288	31,044	31,044	5,410	30,423	30,423	5,519		
	16 (-9°C)	31,268	31,268	5,249	30,448	30,448	5,371	29,825	29,825	5,478		
	19 (-7°C)	30,852	30,852	4,905	30,427	30,427	5,019	29,802	29,802	5,119		
	24 (-4°C)	29,903	29,903	5,081	29,546	29,546	5,199	29,011	29,011	5,303		
	32 (0°C)	29,135	29,135	4,861	28,814	28,814	4,974	28,344	28,344	5,073		
	41 (5°C)	30,281	30,281	4,499	29,984	29,984	4,603	29,535	29,535	4,695		
	43 (6°C)	31,110	31,110	3,519	30,813	30,813	3,600	30,373	30,373	3,672		
	47 (8.3°C)	34,000	34,000	3,600	33,065	33,065	3,683	32,366	32,366	3,757		
	53 (12°C)	34,340	34,340	3,271	33,394	33,394	3,347	32,695	32,695	3,414		
	59 (15°C)	31,614	31,614	3,303	30,734	30,734	3,379	30,085	30,085	3,447		
	64 (18°C)	32,283	32,283	3,029	31,394	31,394	3,099	30,734	30,734	3,161		
	70 (21°C)	32,895	32,895	3,076	31,987	31,987	3,147	31,308	31,308	3,210		
75 (24°C)	33,354	33,354	2,811	32,436	32,436	2,876	31,757	31,757	2,933			
78 (26°C)	33,660	33,660	2,836	32,732	32,732	2,902	32,044	32,044	2,960			

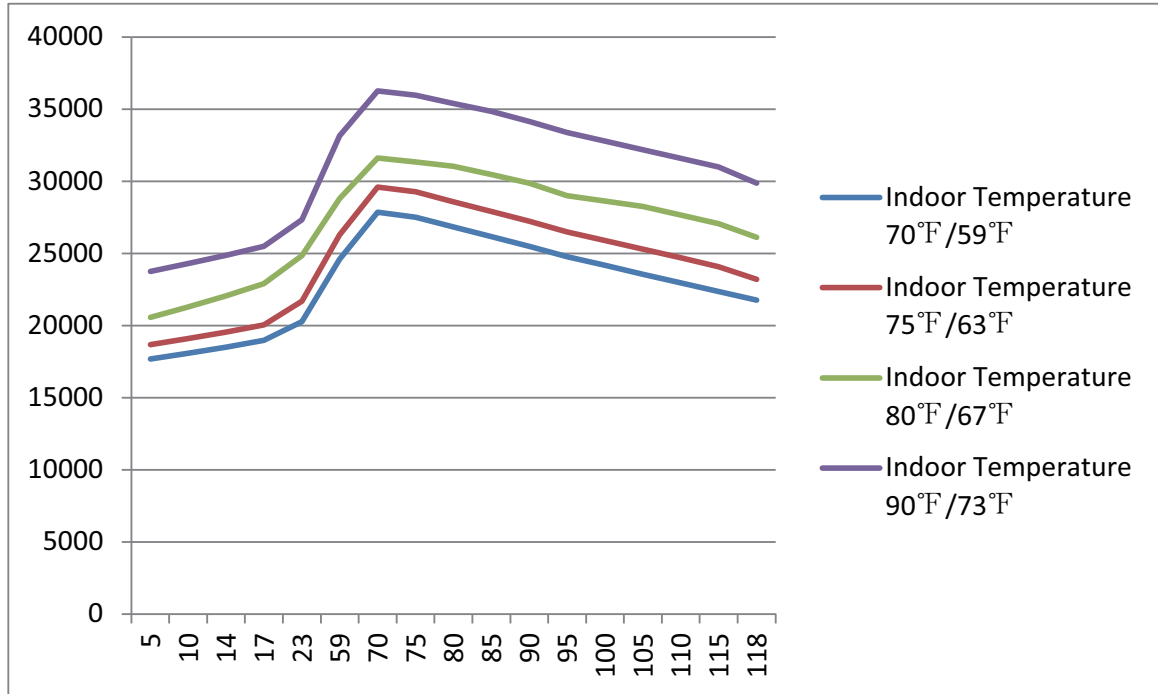
LEGEND

DB --- Dry Bulb  
WB --- Wet Bulb  
TC --- Total Net Cooling Capacity (BtuH)  
SC --- Sensible Capacity (BtuH)  
Input Power---(Watts)

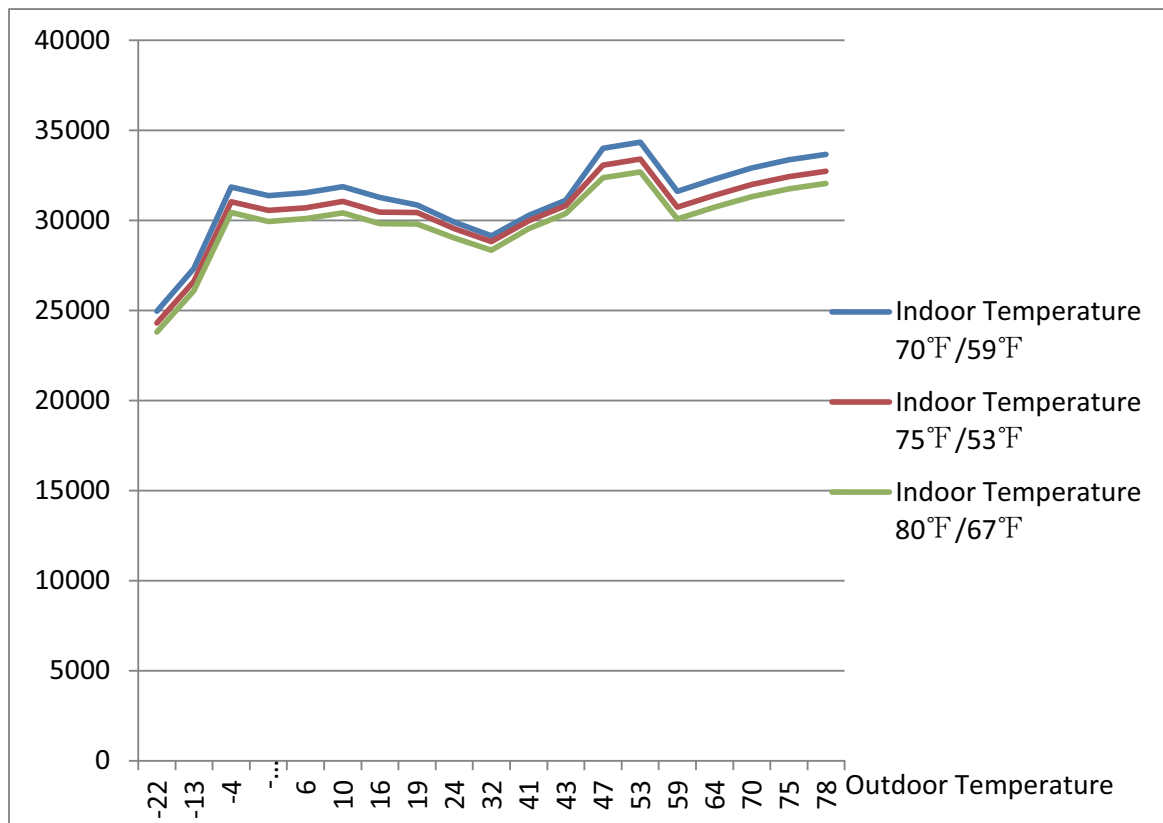
Specifications are subject to change without notice. Manufacturer reserves the right to discontinue or modify specifications or designs without notice or without incurring obligations. All rights reserved.



## Cooling Capacity (Btu)



## Heating Capacity (Btu)





**MULTI**

# Ultra Heat Multi Zone Outdoor Unit

**Model:  
KM36UH50**



Item	Unit	Specification
Model	—	KM36UH50
Rated Cooling Capacity	W	10550
	Btu/h	36,000
Rated Heating Capacity (47°F)	W	10550
	Btu/h	36,000
Rated Heating Capacity (17°F)	W	10,550
	Btu/h	36000
Cooling Capacity Range	W	2,600-10,500
	Btu/h	8,871-35826
Heating Capacity Range (47°F)	W	2,600-13,000
	Btu/h	8,871-44,356
Max Heating Capacity (17°F)	W	2600-10550
	Btu/h	8874-36000
Cooling Power Input (Max)	W	3,580
Heating Power Input (Max)	W	3,010
SEER	—	23
HSPF	—	11
EER	W/W	2.95
COP	W/W	3.5
Cooling Operation Range	°F (°C)	0~118.4 (-18.0~48.0)
Heating Operation Range	°F (°C)	-31~75.2 (-35~24)
Power Supply	—	208/230V / 1Ph / 60Hz
Min/Max Voltage	V	187/253
Main Supply Wire Size	—	AWG8
Interconnecting Cable Wire Size	—	AWG18
MCA	A	25
MOCP/Breaker Size	A	35
Compressor Type	—	DC Inverter Rotary
Compressor RLA	A	15.6
Fan Motor Power Output	W	170
Fan Motor FLA	A	0.2
Fan Motor Air Flow (Max)	CFM	4531
Sound Pressure Level	dB(A)	61
Unit Dimensions (W×H×D)	mm	1087×1103×440
	Inch	43-7/64×43-27/64×17-21/64
Weight (Net/Shipping)	kg	98/106
	lbs	216/234
Min Number of Indoor Units	—	1
Max Number of Indoor Units	—	4
Refrigerant Type	—	R410A
Connection Method	—	Flared
Factory Charge	oz	158.7
Additional Charge	oz/ft	0.215
Total Refrigerant Pipe Length	m	75
	ft.	246.1
MAX Refrigerant Pipe Length	m	25
	ft.	82
MAX Refrigerant Pipe Elevation between indoor units	m	15
	ft.	49.2
MAX Lift from Outdoor to Indoor Unit	m	15
	ft.	49.2
MAX Drop from Outdoor to Indoor Unit	m	15
	ft.	49.2

**Job Name:**

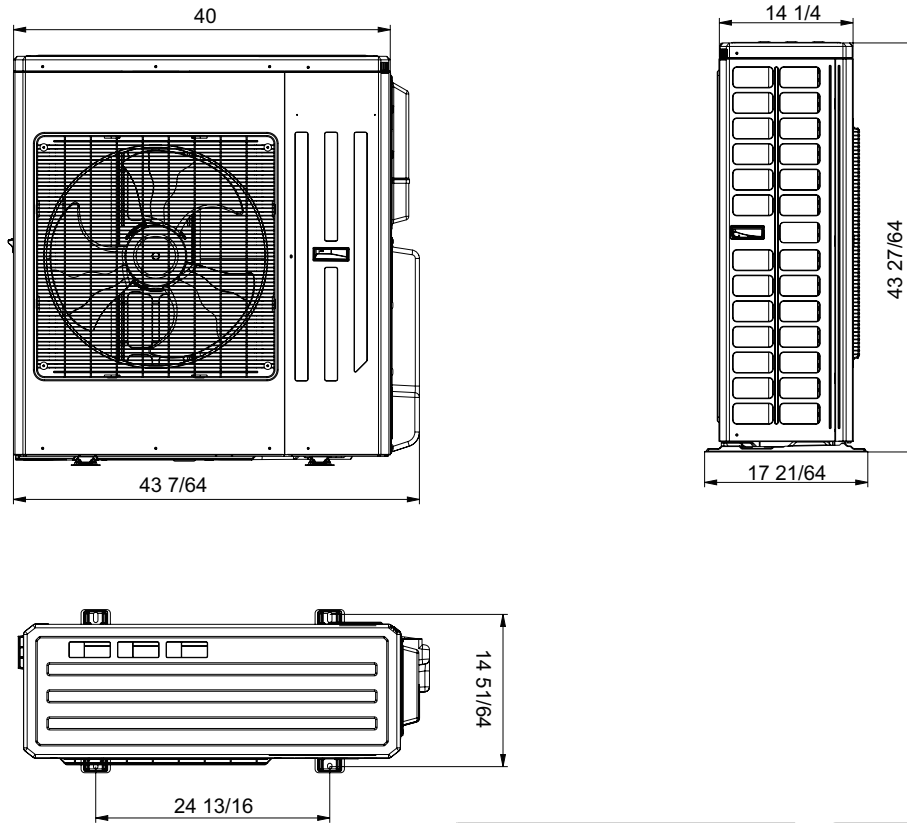
**Schedule Reference:**

**Date:**

Specification are subject to change without notice.



## Outline and Physical Dimensions of KM36UH5O.

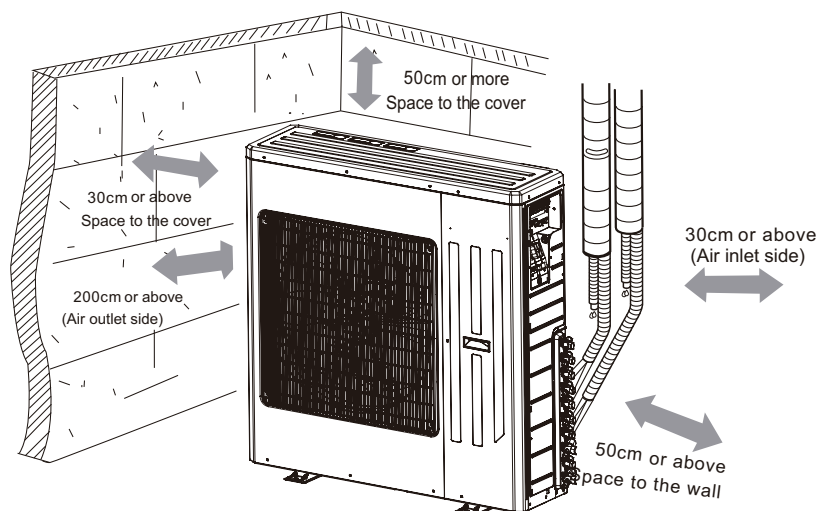


Unit:inch

Suction/Gas Line Port Size	
Port #1	3/8 Inch (φ9.52) OD Flared
Port #2	3/8 Inch (φ9.52) OD Flared
Port #3	3/8 Inch (φ9.52) OD Flared
Port #4	3/8 Inch (φ9.52) OD Flared

Liquid Line Port Size	
Port #1	1/4 Inch (φ6) OD Flared
Port #2	1/4 Inch (φ6) OD Flared
Port #3	1/4 Inch (φ6) OD Flared
Port #4	1/4 Inch (φ6) OD Flared

## MINIMUM SPACING REQUIREMENTS





# OPERATIONAL PERFORMANCE SPECIFICATIONS

EXTENDED RATINGS

MULTI36HP230V1CO

## COOLING PERFORMANCE

DB WB		Indoor Ambient Temperature											
		70°F (21°C) 59°F (15°C)			75°F (24°C) 63°F (17°C)			80°F (27°C) 67°F (19°C)			90°F (32°C) 73°F (23°C)		
		TC (BtuH)	SC (BtuH)	Input Power (watts)	TC (BtuH)	SC (BtuH)	Input Power (watts)	TC (BtuH)	SC (BtuH)	Input Power (watts)	TC (BtuH)	SC (BtuH)	Input Power (watts)
Outdoor Ambient Temperature (DB)	-0.4°F (-18°C)	20,420	16,010	1,200	23,030	18,060	1,270	24,152	19,090	1,320	27,430	21,510	1,410
	5°F (-15°C)	20,940	16,420	1,200	23,620	18,530	1,280	24,995	19,820	1,320	28,130	22,030	1,410
	14°F (-10°C)	21,690	17,010	1,220	24,470	19,190	1,300	25,908	20,280	1,340	29,150	22,860	1,440
	23°F (-5°C)	23,770	18,640	1,220	27,080	21,240	1,300	26,896	22,840	1,330	32,040	25,130	1,430
	32°F (0°C)	24,979	19,588	1,222	28,455	22,319	1,291	29,178	22,943	1,335	33,681	25,057	1,395
	41°F (5°C)	26,260	20,593	1,285	29,914	23,463	1,358	31,822	24,119	1,403	32,409	26,342	1,467
	50°F (10°C)	27,355	21,451	1,338	31,161	24,441	1,414	32,125	25,124	1,462	33,884	27,440	1,528
	59°F (15°C)	28,820	22,600	1,410	32,830	25,750	1,490	36,785	26,470	1,540	38,860	28,910	1,610
	68°F (20°C)	32,620	29,556	2,010	33,422	30,044	1,995	34,444	31,733	2,010	37,526	33,695	2,025
	77°F (25°C)	35,145	30,300	2,450	36,240	31,409	2,435	38,763	32,791	2,440	40,040	34,872	2,430
	86°F (30°C)	35,486	30,368	3,120	37,438	32,364	3,125	38,082	33,012	3,160	39,211	34,650	3,185
	95°F (35°C)	32,176	28,781	3,300	35,827	31,255	3,400	34,060	31,921	3,335	41,014	34,275	3,405
	104°F (40°C)	27,451	26,444	3,075	29,095	28,543	3,085	31,617	29,856	3,115	33,452	32,671	3,145
113°F (45°C)	23,544	23,203	2,765	25,642	24,926	2,790	27,174	25,779	2,800	28,686	28,833	2,825	
118°F (48°C)	16,382	16,232	1,856	17,504	17,242	1,911	20,471	18,354	1,986	21,186	19,923	2,023	

## HEATING PERFORMANCE

DB WB		Indoor Ambient Temperature											
		70°F (21°C) 59°F (15°C)			75°F (24°C) 63°F (17°C)			80°F (27°C) 67°F (19°C)			90°F (32°C) 73°F (23°C)		
		TC (BtuH)	SC (BtuH)	Input Power (watts)	TC (BtuH)	SC (BtuH)	Input Power (watts)	TC (BtuH)	SC (BtuH)	Input Power (watts)	TC (BtuH)	SC (BtuH)	Input Power (watts)
Outdoor Ambient Temperature (DB)	-5°F (-21°C)	34,123	21,908	6,281	35,621	21,749	6,354	37,413	21,350	6,521	39,436	20,871	6,689
	0°F (-18°C)	35,179	23,744	6,544	36,798	23,571	6,683	38,441	23,119	6,839	39,879	22,600	6,945
	5°F (-15°C)	36,610	25,047	7,112	38,076	24,861	7,254	39,486	24,396	7,349	41,874	23,837	7,527
	7°F (-14°C)	38,494	26,085	7,039	39,697	25,899	7,187	41,546	25,407	7,348	43,846	24,835	7,528
	17°F (-8°C)	42,452	26,870	6,983	44,145	26,684	7,167	46,723	26,165	7,354	48,831	25,580	7,545
	28°F (-2°C)	45,768	30,142	6,891	47,854	30,302	7,115	49,456	29,783	7,248	51,476	29,184	7,397
	38°F (3°C)	46,879	37,910	6,408	47,337	38,070	6,574	48,698	37,538	6,672	49,718	36,939	6,789
	47°F (8°C)	47,423	42,566	6,453	48,792	42,247	6,587	49,143	41,395	6,618	51,878	40,411	6,724
	57°F (14°C)	48,324	43,976	5,173	48,763	43,630	5,291	50,249	42,752	5,360	51,476	41,741	5,499
	68°F (20°C)	49,121	45,758	4,707	50,147	45,413	4,895	51,874	44,495	4,967	52,127	43,444	5,234
	77°F (25°C)	48,320	46,823	3,451	49,768	46,463	3,654	50,048	45,532	3,842	51,176	44,455	4,037

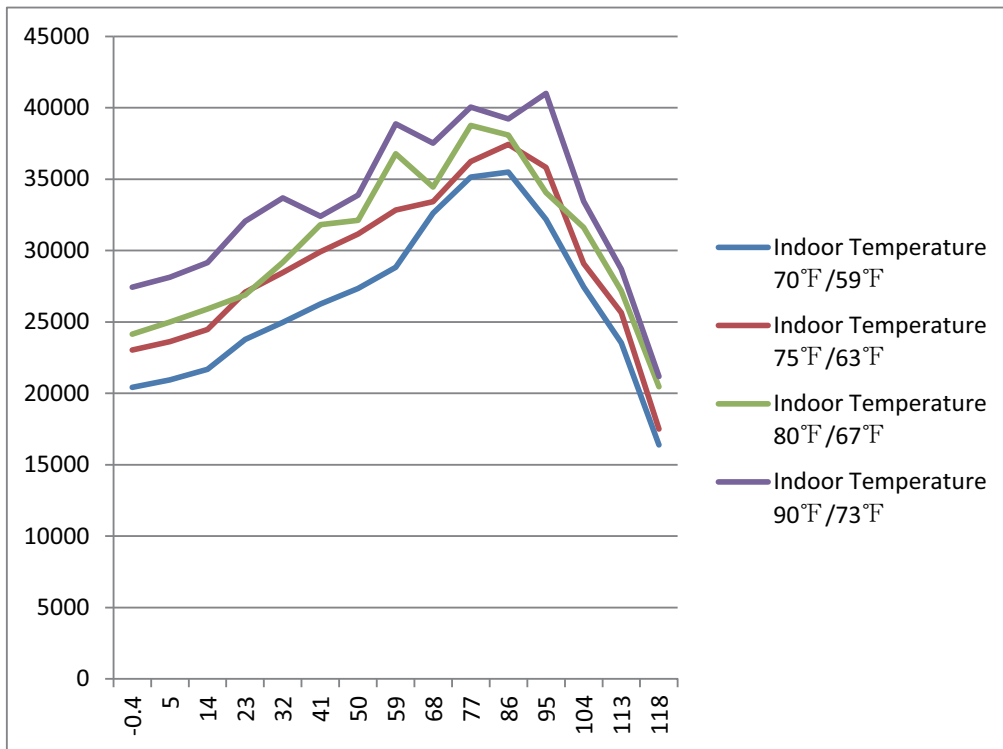
LEGEND

DB --- Dry Bulb  
WB --- Wet Bulb  
TC --- Total Net Cooling Capacity (BtuH)  
SC --- Sensible Capacity (BtuH)  
Input Power---(Watts)

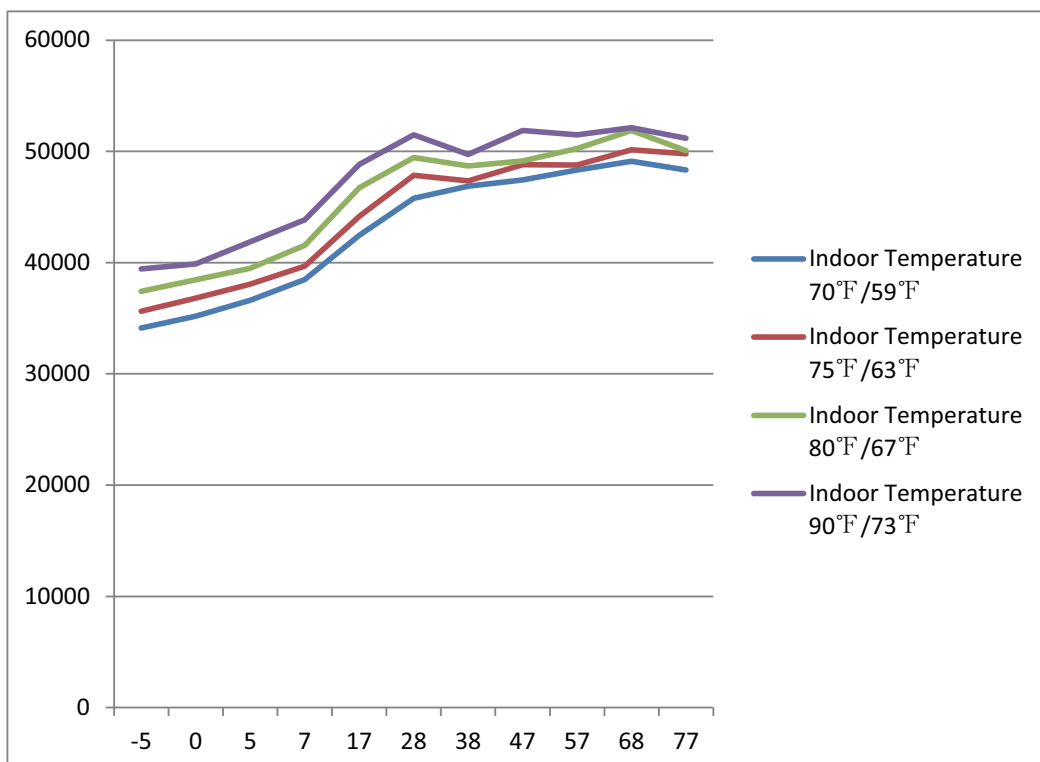
Specifications are subject to change without notice. Manufacturer reserves the right to discontinue or modify specifications or designs without notice or without incurring obligations. All rights reserved.



### Cooling Capacity (Btu)



### Heating Capacity (Btu)





**MULTI**

# Ultra Heat Multi Zone Outdoor Unit

**Model:  
KM42UH50**



Item	Unit	Specification
Model	—	KM42UH50
Rated Cooling Capacity	W	12300
	Btu/h	42,000
Rated Heating Capacity (47°F)	W	12300
	Btu/h	42,000
Rated Heating Capacity (17°F)	W	12,300
	Btu/h	42000
Cooling Capacity Range	W	3,000-11,200
	Btu/h	10,236-38,214
Heating Capacity Range (47°F)	W	3,000-13,700
	Btu/h	10,236-46,744
Max Heating Capacity (17°F)	W	3000-12300
	Btu/h	10236-42000
Cooling Power Input (Max)	W	4,680
Heating Power Input (Max)	W	3,370
SEER	—	23
HSPF	—	11
EER	W/W	2.63
COP	W/W	3.5
Cooling Operation Range	°F(°C)	0~118.4 (-18.0~48.0)
Heating Operation Range	°F(°C)	-31~75.2 (-35~24)
Power Supply	—	208/230V / 1Ph / 60Hz
Min/Max Voltage	V	187/253
Main Supply Wire Size	—	AWG8
Interconnecting Cable Wire Size	—	AWG18
MCA	A	30
MOCP/Breaker Size	A	35
Compressor Type	—	DC Inverter Rotary
Compressor RLA	A	14.7
Fan Motor Power Output	W	170
Fan Motor FLA	A	0.4
Fan Motor Air Flow (Max)	CFM	4531
Sound Pressure Level	dB(A)	62
Unit Dimensions (W×H×D)	mm	1087×1103×440
	Inch	43-7/64×43-27/64×17-21/64
Weight (Net/Shipping)	kg	100/108
	lbs	220/238
Min Number of Indoor Units	—	1
Max Number of Indoor Units	—	5
Refrigerant Type	—	R410A
Connection Method	—	Flared
Factory Charge	oz	176.4
Additional Charge	oz/ft	0.215
Total Refrigerant Pipe Length	m	80
	ft.	262.5
MAX Refrigerant Pipe Length	m	25
	ft.	82
MAX Refrigerant Pipe Elevation between indoor units	m	15
	ft.	49.2
MAX Lift from Outdoor to Indoor Unit	m	15
	ft.	49.2
MAX Drop from Outdoor to Indoor Unit	m	15
	ft.	49.2

**Job Name:**

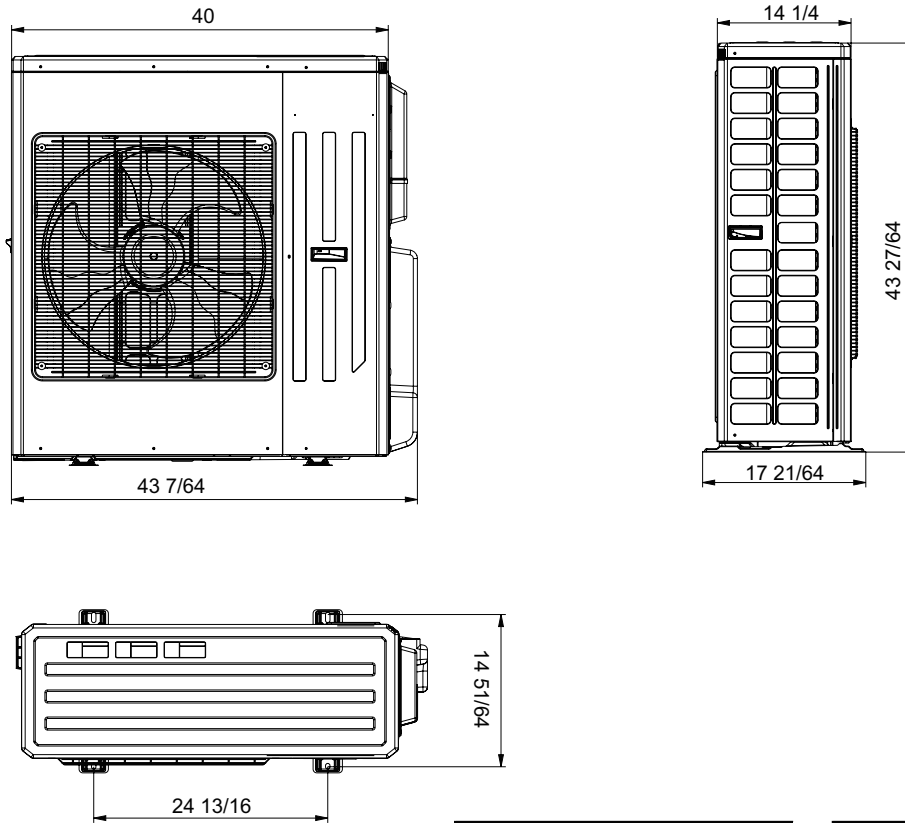
**Schedule Reference:**

**Date:**

Specification are subject to change without notice.



## Outline and Physical Dimensions of KM42UH5O.

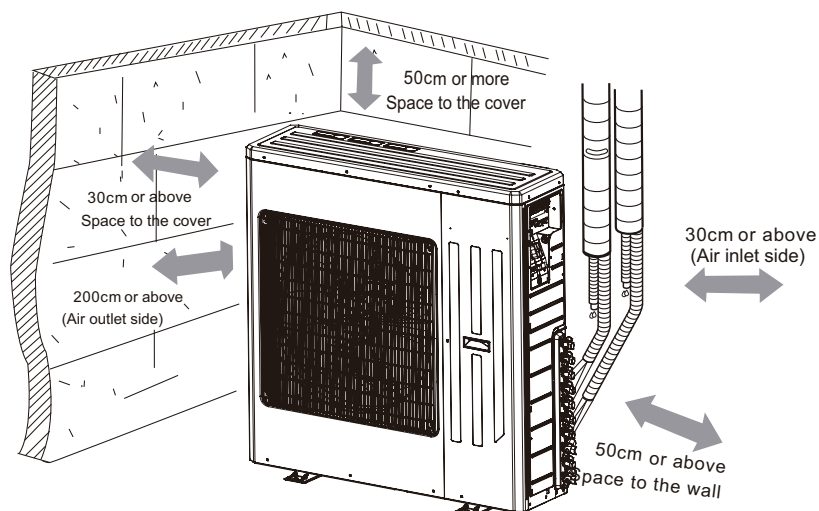


Unit:inch

Suction/Gas Line Port Size	
Port #1	3/8 Inch (φ9.52) OD Flared
Port #2	3/8 Inch (φ9.52) OD Flared
Port #3	3/8 Inch (φ9.52) OD Flared
Port #4	3/8 Inch (φ9.52) OD Flared

Liquid Line Port Size	
Port #1	1/4 Inch (φ6) OD Flared
Port #2	1/4 Inch (φ6) OD Flared
Port #3	1/4 Inch (φ6) OD Flared
Port #4	1/4 Inch (φ6) OD Flared

## MINIMUM SPACING REQUIREMENTS





# OPERATIONAL PERFORMANCE SPECIFICATIONS

## EXTENDED RATINGS

MULT42HP230V1CO

### COOLING PERFORMANCE

DB WB		Indoor Ambient Temperature											
		70°F (21°C) 59°F (15°C)			75°F (24°C) 63°F (17°C)			80°F (27°C) 67°F (19°C)			90°F (32°C) 73°F (23°C)		
		TC (BtuH)	SC (BtuH)	Input Power (watts)	TC (BtuH)	SC (BtuH)	Input Power (watts)	TC (BtuH)	SC (BtuH)	Input Power (watts)	TC (BtuH)	SC (BtuH)	Input Power (watts)
Outdoor Ambient Temperature (DB)	-0.4°F (-18°C)	23,610	18,510	1,620	26,630	20,890	1,710	28,140	22,070	1,780	31,720	24,870	1,900
	5°F (-15°C)	24,210	18,990	1,620	27,310	21,420	1,730	29,220	22,910	1,780	32,520	25,510	1,900
	14°F (-10°C)	24,880	19,510	1,630	28,070	22,020	1,730	29,670	23,270	1,800	33,440	26,220	1,920
	23°F (-5°C)	27,260	21,380	1,630	31,060	24,360	1,730	33,410	26,200	1,780	36,750	28,820	1,910
	32°F (0°C)	28,654	22,475	1,629	32,641	25,603	1,725	32,329	26,323	1,785	38,639	29,478	1,915
	41°F (5°C)	30,124	23,627	1,713	34,315	26,916	1,813	33,987	27,673	1,877	40,621	30,989	2,014
	50°F (10°C)	31,379	24,612	1,784	35,745	28,038	1,889	35,403	28,826	1,955	42,313	32,281	2,098
	59°F (15°C)	33,060	25,930	1,880	37,660	29,540	1,990	37,300	30,370	2,060	44,580	34,010	2,210
	68°F (20°C)	33,012	29,754	1,980	36,575	29,396	1,990	37,499	32,125	2,000	44,870	34,138	2,210
	77°F (25°C)	35,213	29,174	2,480	37,977	30,965	2,685	41,389	33,541	2,820	47,804	34,463	2,515
	86°F (30°C)	36,510	29,037	3,650	38,540	31,238	3,555	43,334	34,121	3,600	48,572	35,333	3,280
	95°F (35°C)	33,780	29,344	3,635	36,612	31,801	3,485	40,809	33,780	3,590	41,406	33,814	3,555
	104°F (40°C)	29,481	27,297	3,600	33,831	30,931	3,645	34,974	32,586	3,670	37,875	32,722	3,735
	113°F (45°C)	23,203	22,486	2,750	25,779	24,567	2,775	28,662	26,683	2,800	29,856	28,031	2,830
118°F (48°C)	16,795	16,508	1,988	18,255	17,668	2,101	19,381	18,528	2,158	20,531	19,749	2,204	

### HEATING PERFORMANCE

DB WB		Indoor Ambient Temperature											
		70°F (21°C) 59°F (15°C)			75°F (24°C) 63°F (17°C)			80°F (27°C) 67°F (19°C)			90°F (32°C) 73°F (23°C)		
	DB	TC (BtuH)	SC (BtuH)	Input Power (watts)	TC (BtuH)	SC (BtuH)	Input Power (watts)	TC (BtuH)	SC (BtuH)	Input Power (watts)	TC (BtuH)	SC (BtuH)	Input Power (watts)
Outdoor Ambient Temperature (DB)	-5°F (-21°C)	37,241	24,180	7,075	38,142	23,565	6,995	39,421	23,016	7,098	40,374	22,415	7,037
	0°F (-18°C)	38,447	24,880	7,132	39,234	24,160	7,179	40,567	23,710	7,195	41,638	23,080	7,205
	5°F (-15°C)	40,592	26,240	7,324	41,298	25,490	7,394	41,997	25,010	7,428	42,881	24,360	7,480
	7°F (-14°C)	42,851	27,350	7,269	43,625	26,550	7,305	44,038	26,040	7,398	46,895	25,370	7,482
	17°F (-8°C)	43,719	28,170	6,725	44,627	27,350	6,805	46,334	26,830	6,899	48,847	26,120	6,979
	28°F (-2°C)	45,462	31,820	6,523	46,874	30,990	6,636	47,457	30,100	6,716	49,987	29,740	6,855
	38°F (3°C)	47,306	39,560	6,408	48,487	38,730	6,499	49,979	37,850	6,543	51,898	37,480	6,609
	47°F (8°C)	49,608	44,720	6,642	51,698	43,360	6,789	52,849	42,500	6,855	53,897	41,330	6,988
	57°F (14°C)	51,340	46,190	5,325	52,567	44,800	5,498	53,798	43,910	3,410	53,796	42,690	5,584
	68°F (20°C)	48,080	48,080	3,340	49,657	46,620	3,410	50,489	45,690	3,530	51,679	44,430	3,620
	77°F (25°C)	47,698	49,190	3,432	48,178	47,710	3,490	50,979	46,750	3,620	51,413	45,460	3,794

#### LEGEND

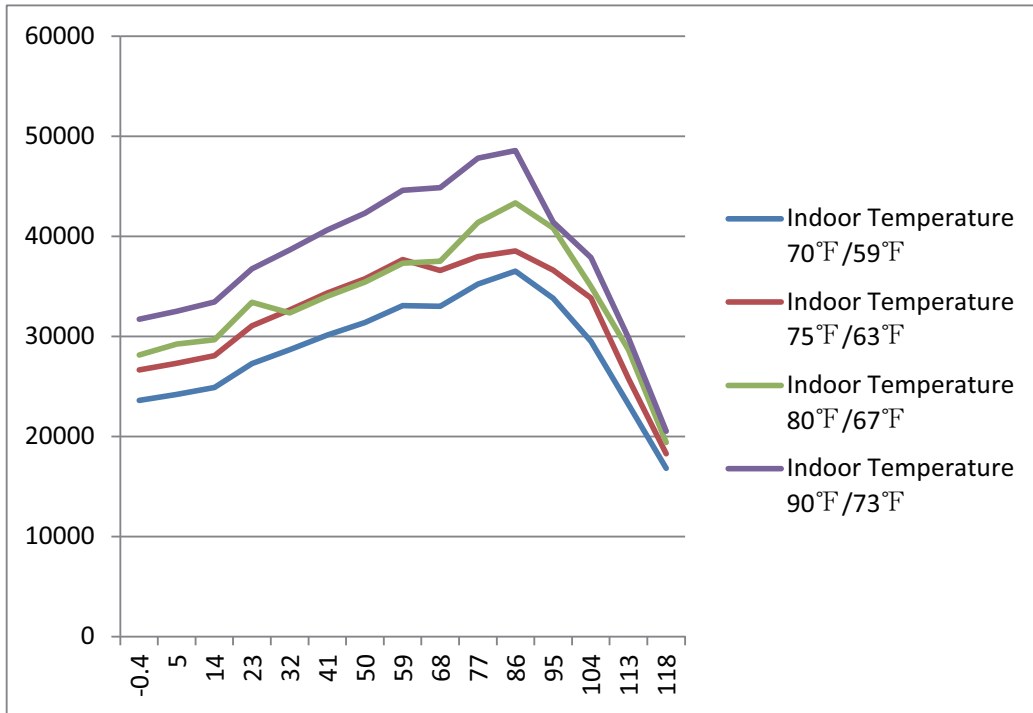
DB --- Dry Bulb  
WB --- Wet Bulb

TC --- Total Net Cooling Capacity (BtuH)  
SC --- Sensible Capacity (BtuH)  
Input Power---(Watts)

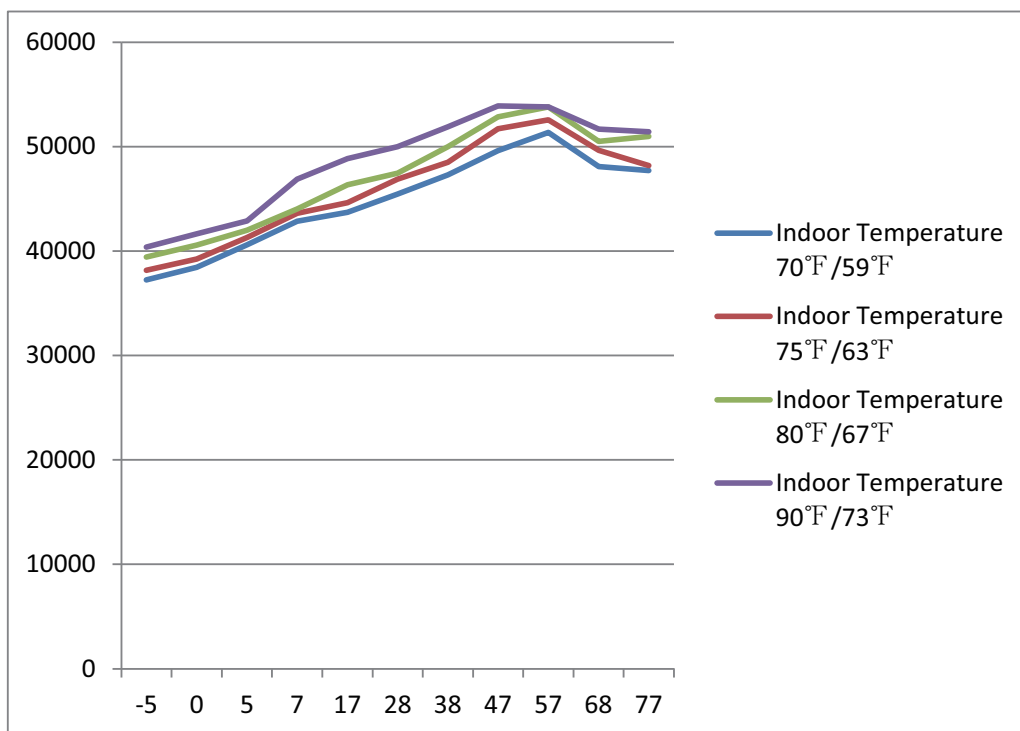
Specifications are subject to change without notice. Manufacturer reserves the right to discontinue or modify specifications or designs without notice or without incurring obligations. All rights reserved.



### Cooling Capacity (Btu)



### Heating Capacity (Btu)





**MULTI**

# Ultra Heat Multi Zone Outdoor Unit

**Model:  
KM48UH50**



Item	Unit	Specification
Model	—	KM48UH50
Rated Cooling Capacity	W	14000
	Btu/h	48,000
Rated Heating Capacity (47°F)	W	15800
	Btu/h	54,000
Rated Heating Capacity (17°F)	W	15,800
	Btu/h	54000
Cooling Capacity Range	W	1,000-16,000
	Btu/h	3412-54592
Heating Capacity Range (47°F)	W	1,200-17,400
	Btu/h	4,094-59,369
Max Heating Capacity (17°F)	W	15800
	Btu/h	54000
Cooling Power Input (Max)	W	54,000
Heating Power Input (Max)	W	4,450
SEER	—	18
HSPF	—	10
EER	W/W	2.59
COP	W/W	3.55
Cooling Operation Range	°F(°C)	50~129 (10~54)
Heating Operation Range	°F(°C)	-31~81 (-35~24)
Power Supply	—	208/230V / 1Ph / 60Hz
Min/Max Voltage	V	187/253
Main Supply Wire Size	—	3×6.0mm <sup>2</sup>
Interconnecting Cable Wire Size	—	2×1.5mm <sup>2</sup>
MCA	A	39
MOCP/Breaker Size	A	60
Compressor Type	—	DC Inverter Rotary
Compressor RLA	A	28
Fan Motor Power Output	W	120
Fan Motor FLA	A	1.0A×2
Fan Motor Air Flow (Max)	CFM	3531
Sound Pressure Level	dB(A)	56
Unit Dimensions (W×H×D)	mm	900×1345×340
	Inch	35-7/16×53×16-3/16
Weight (Net/Shipping)	kg	139/150
	lbs	307/331
Min Number of Indoor Units	—	2
Max Number of Indoor Units	—	8
Refrigerant Type	—	R410A
Connection Method	—	Flared
Factory Charge	oz	229.3
Additional Charge	oz/ft	0.5
Total Refrigerant Pipe Length	m	135
	ft.	442.9
MAX Refrigerant Length	m	70
	ft.	229.7
Min Refrigerant Pipe Length	m	20
	ft.	65.6
MAX Refrigerant Pipe Elevation	m	15
	ft.	49.2
MAX Lift from Outdoor to Indoor Unit	m	30
	ft.	98.4
MAX Drop from Outdoor to Indoor Unit	m	30
	ft.	98.4

**Job Name:**

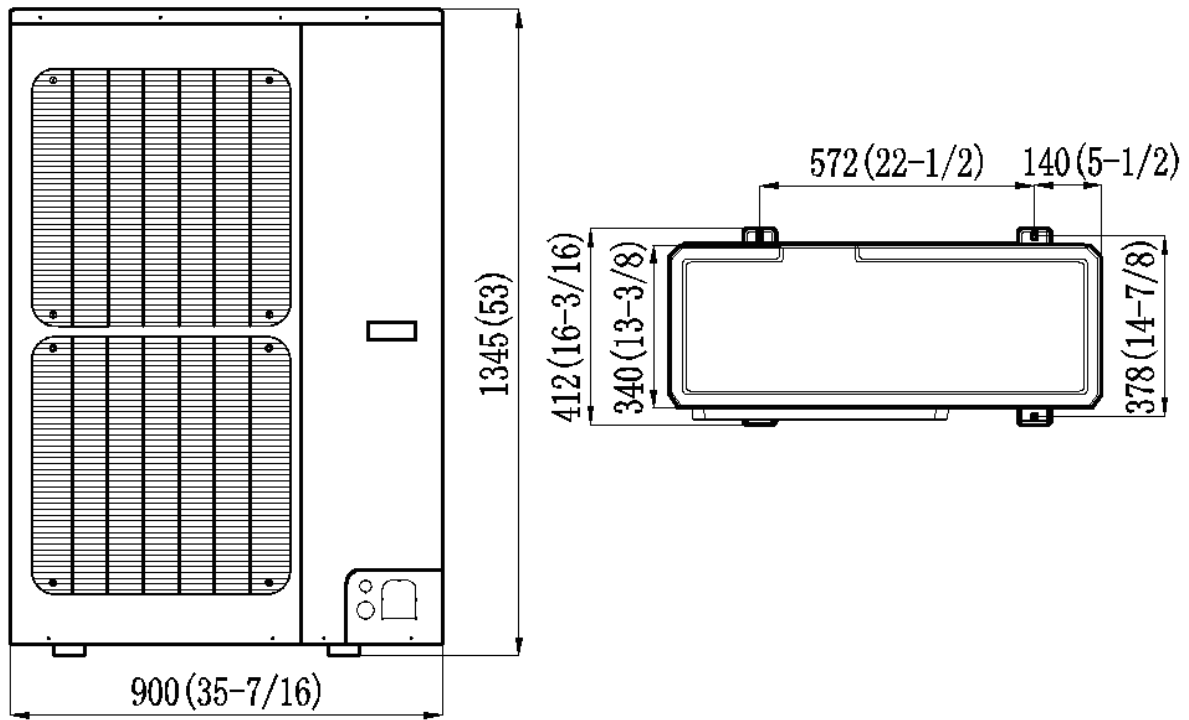
**Schedule Reference:**

**Date:**

Specification are subject to change without notice.



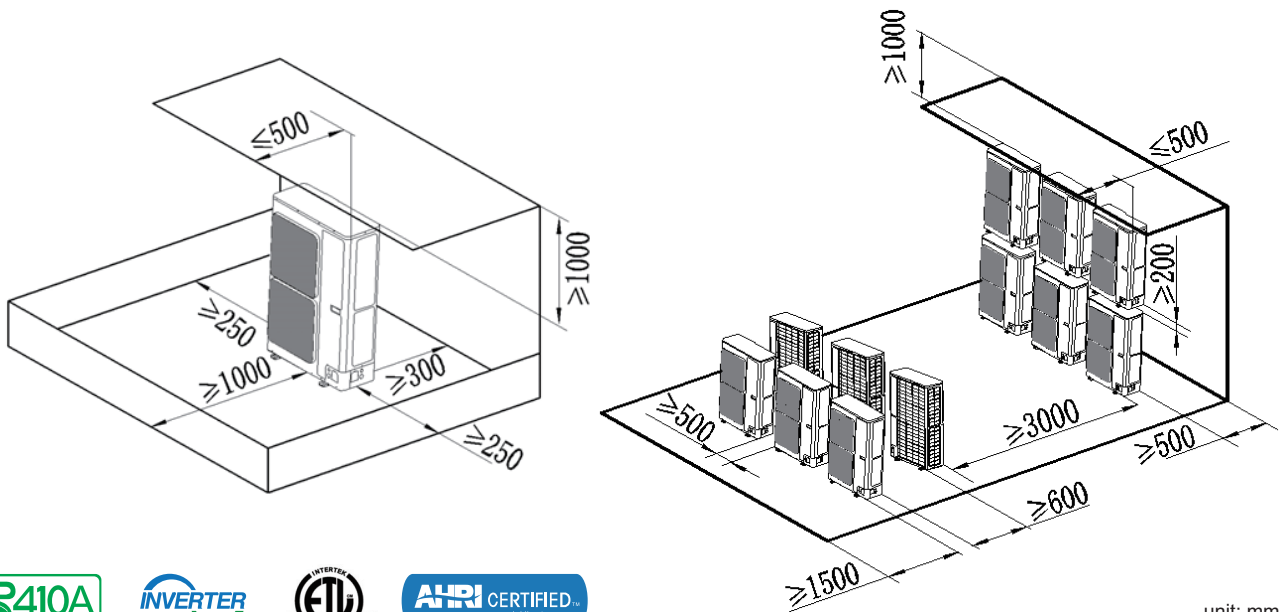
## Outline and Physical Dimensions of KM48UH5O.



Unit:inch

Suction/Gas Line Port Size		Liquid Line Port Size	
Port #1	5/8 Inch (φ16) OD Flared	Port #1	3/8 Inch (φ9.52) OD Flared

## MINIMUM SPACING REQUIREMENTS



unit: mm





# OPERATIONAL PERFORMANCE SPECIFICATIONS

## EXTENDED RATINGS

MULT48HP230V1CO

### COOLING PERFORMANCE

Outdoor air temp (°F DB)	Indoor air temp													
	57.2°F WB (14)		60.8°F WB (16)		64.4°F WB (18)		66.2°F WB (19)		68.0°F WB (20)		71.6°F WB (22)		75.2°F WB (24)	
	68.0°F DB(20)		73.4°F DB (23)		78.8°F DB (26)		80.6°F DB (27)		82.4°F DB (28)		86.0°F DB (30)		89.6°F DB (32)	
	TC	PI	TC	PI	TC	PI	TC	PI	TC	PI	TC	PI	TC	PI
	KBtu/h	KW	KBtu/h	KW	KBtu/h	KW	KBtu/h	KW	KBtu/h	KW	KBtu/h	KW	KBtu/h	KW
50 (10)	35.7	2.89	42.5	2.89	49.4	3.21	52.8	3.37	56.2	3.54	60.5	3.68	61.9	3.60
53.6 (12)	35.7	2.92	42.5	2.93	49.4	3.25	52.8	3.42	56.2	3.59	59.8	3.67	61.0	3.59
57.2 (14)	35.7	2.94	42.5	2.96	49.4	3.29	52.8	3.46	56.2	3.63	59.0	3.67	60.3	3.58
60.8 (16)	35.7	2.97	42.5	2.99	49.4	3.33	52.8	3.50	56.2	3.68	58.3	3.69	59.5	3.71
64.4 (18)	35.7	3.00	42.5	3.03	49.4	3.37	52.8	3.57	56.2	3.80	57.4	3.82	58.8	3.84
68 (20)	35.7	3.02	42.5	3.06	49.4	3.50	52.8	3.74	55.4	3.93	56.7	3.95	57.9	3.97
69.8 (21)	35.7	3.04	42.5	3.12	49.4	3.59	52.8	3.84	55.0	3.99	56.2	4.01	57.6	4.03
73.4 (23)	35.7	3.11	42.5	3.26	49.4	3.76	52.8	4.03	54.2	4.11	55.5	4.14	56.7	4.17
77 (25)	35.7	3.22	42.5	3.40	49.4	3.94	52.8	4.23	53.5	4.24	54.7	4.27	56.1	4.29
80.6 (27)	35.7	3.33	42.5	3.55	49.4	4.13	51.9	4.36	52.6	4.37	54.0	4.40	55.2	4.43
84.2 (29)	35.7	3.46	42.5	3.71	49.4	4.33	51.3	4.49	51.9	4.50	53.1	4.53	54.5	4.56
87.8 (31)	35.7	3.59	42.5	3.88	49.4	4.54	50.4	4.61	51.1	4.63	52.5	4.66	53.7	4.69
91.4 (33)	35.7	3.72	42.5	4.05	49.0	4.72	49.7	4.74	50.4	4.76	51.6	4.79	53.0	4.83
95 (35)	35.7	3.86	42.5	4.24	48.3	4.85	48.9	4.87	49.5	4.89	50.7	4.92	52.1	4.96
98.6 (37)	35.7	4.01	42.5	4.44	48.0	4.98	48.2	5.00	48.7	5.02	50.1	5.06	51.3	5.09
102.2 (39)	35.7	4.17	42.5	4.65	48.0	5.11	48.0	5.13	48.0	5.15	49.2	5.19	50.6	5.23
105.8 (41)	33.7	4.48	40.4	5.03	45.9	5.80	48.0	5.46	48.0	5.48	48.3	5.52	49.7	5.56
111.2 (44)	31.4	4.74	38.3	5.37	43.8	6.31	44.5	6.01	45.2	5.81	46.5	5.74	47.9	5.79
116.6 (47)	29.6	5.81	37.0	6.65	42.3	6.57	42.9	6.08	43.6	6.11	44.9	6.08	46.4	6.13
122 (50)	27.1	5.73	33.2	6.55	37.8	6.67	38.3	6.49	38.9	6.44	40.1	6.42	41.7	6.35
129.2 (54)	20.5	5.07	24.7	5.79	28.3	6.02	28.8	6.01	29.7	5.92	32.0	5.86	33.9	5.71

### HEATING PERFORMANCE

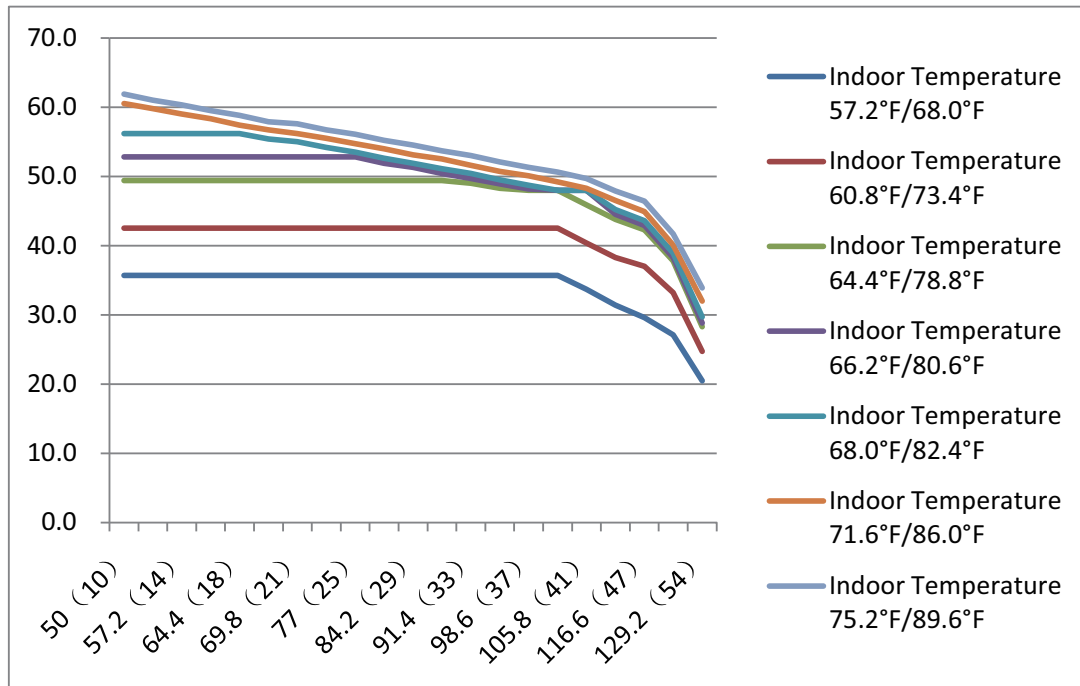
Outdoor air temp (°F DB)		indoor air temperature °F DB											
		60.8 (16)		64.4 (18)		68 (20)		69.8 (21)		71.6 (22)		75.2 (24)	
°F DB	°F WB	TC	PI	TC	PI	TC	PI	TC	PI	TC	PI	TC	PI
		KBtu/h	kW	KBtu/h	kW	KBtu/h	kW	KBtu/h	kW	KBtu/h	kW	KBtu/h	kW
-31 (-35)	-31.3	32.7	6.58	32.3	6.38	32	6.2	32	6.26	31.8	6.12	31.8	6.01
-25.6 (-32)	-25.9	35.2	6.62	34.8	6.42	34.5	6.24	34.3	6.3	34.1	6.16	34.1	6.05
-20.2 (-29)	-20.4	37.9	6.67	37.5	6.47	37.2	6.29	37.2	6.35	37	6.21	37	6.1
-16.6 (-27)	-16.8	41.5	6.73	41.1	6.53	40.8	6.35	40.8	6.41	40.6	6.27	40.6	6.16
-13 (-25)	-13.3	42.7	6.81	42.3	6.61	42	6.43	42	6.49	41.8	6.35	41.8	6.24
-7.6 (-22)	-8	46	6.93	45.6	6.73	45.3	6.55	45.3	6.61	45.1	6.47	45.1	6.36
-3.64 (-20)	-4.0	48.7	6.98	48.3	6.78	48.0	6.60	47.8	6.66	47.6	6.52	47.6	6.41
-1.84 (-19)	-2.2	49.5	6.99	49.1	6.79	48.8	6.61	48.8	6.67	48.6	6.53	48.6	6.42
1.94 (-17)	1.4	50.0	7.01	49.6	6.81	49.3	6.63	49.3	6.69	49.1	6.55	49.1	6.44
7.34 (-14)	5.0	51.7	7.03	51.3	6.83	51.0	6.65	51.0	6.71	50.8	6.57	50.8	6.46
10.76 (-12)	8.6	52.3	6.98	51.9	6.78	51.6	6.60	51.6	6.66	51.4	6.52	51.4	6.41
14.36 (-10)	12.2	53.2	6.93	52.8	6.73	52.5	6.55	52.5	6.61	52.3	6.47	52.3	6.36
14.9 (-9.5)	14.0	53.7	6.87	53.3	6.67	53.0	6.49	53.0	6.55	52.8	6.41	52.8	6.30
16.7 (-8.5)	15.6	54.4	6.88	54.0	6.68	53.7	6.50	53.7	6.56	53.5	6.42	53.5	6.31
19.4 (-7)	18.3	55.7	6.78	55.3	6.58	55.0	6.40	54.7	6.46	54.5	6.32	54.5	6.21
23 (-5)	21.9	57.0	6.71	56.6	6.51	56.3	6.33	56.3	6.39	56.1	6.25	56.1	6.14
26.6 (-3)	25.3	58.5	6.68	58.1	6.48	57.8	6.30	57.8	6.36	57.6	6.22	57.6	6.11
32 (0)	30.7	59.7	6.68	59.3	6.48	59.0	6.30	59.0	6.36	58.8	6.22	58.8	6.11
37.4 (3)	36.0	60.9	6.60	60.5	6.40	60.2	6.22	60.2	6.28	59.8	6.14	59.8	6.03
41 (5)	39.4	61.7	6.51	61.3	6.31	61.0	6.13	61.0	6.19	60.2	6.05	60.0	5.94
44.6 (7)	42.8	62.7	6.38	62.3	6.18	62.0	6.00	61.6	6.06	61.0	5.90	61.6	5.79
48.2 (9)	46.2	63.3	6.30	63.5	6.10	64.3	5.92	62.1	6.00	58.8	5.84	56.0	5.69
51.8 (11)	49.6	66.0	6.18	65.2	5.98	64.3	5.80	62.1	5.73	58.8	5.57	56.0	5.42
55.4 (13)	53.2	69.5	5.99	65.2	5.79	64.3	5.61	62.1	5.50	58.8	5.34	56.0	5.19
59 (15)	56.7	69.5	5.74	65.2	5.54	64.3	5.36	62.1	5.25	58.8	5.09	56.0	4.94
64.4 (18)	62.2	69.5	5.04	65.2	4.84	64.3	4.66	62.1	4.55	58.8	4.39	56.0	4.24
68 (20)	65.3	69.5	4.68	65.2	4.48	64.3	4.30	62.1	4.19	58.8	4.03	56.0	3.88
75.2 (24)	68.9	69.5	4.41	65.2	4.21	64.3	4.03	62.1	3.92	58.8	3.76	56.0	3.61

LEGEND  
 DB --- Dry Bulb  
 WB --- Wet Bulb  
 TC --- Total Net Cooling Capacity (Btu/h)  
 SC --- Sensible Capacity (Btu/h)  
 Input Power---(Watts)

Specifications are subject to change without notice. Manufacturer reserves the right to discontinue or modify specifications or designs without notice or without incurring obligations. All rights reserved.



### Cooling Capacity (Btu)



### Heating Capacity (Btu)

