

# MULTI TYPE

# Free Match

## KM36X60



Model	KM36X60	
Power Supply	V~	208/230
	Hz	60
	-	1
Cross-sectional Area of Power Cable Conductor	mm <sup>2</sup>	3G5.3(AWG10)
Cooling Capacity	Btu/h	36000
Heating Capacity	Btu/h	36000
Cooling Power Input	kW	3
Heating Power Input	kW	2.96
Cooling Current Input	A	13.04
Heating Current Input	A	12.87
Rated Input	kW	5.2
Rated Current	A	21.73/22.6
Air Flow Volume	CFM	3413
EER	(Btu/h)/W	12
COP	(Btu/h)/W	12.16
SEER	-	21
HSPF	-	10
Compressor Manufacturer	-	ZHUHAI LANDA COMPRESSOR CO.,LTD
Compressor Model	-	QXFS-D40zX070A(Overload)
Compressor Refrigerant Oil Type	-	FW68DA or equivalent
Compressor Type	-	Twin Rotary
Compressor Locked Rotor Amp (L.R.A)	A	/
Compressor Rated Load Amp (RLA)	A	7.5

Job Name:

Schedule Reference:

Date:

Specification are subject to change without notice.



# MULTI TYPE Free Match

Compressor Power Input	W	3514
Compressor Thermal Protector	-	KSD115°C HPC115/95U1
Throttling Method	-	Electron expansion valve
Cooling Operation Ambient Temperature Range	°F	-22~118
Heating Operation Ambient Temperature Range	°F	-22~75.2
Condenser Material	-	Aluminum Fin-copper Tube
Condenser Pipe Diameter	mm	Φ7.94
Condenser Rows-fin Gap	mm	3-1.6
Condenser Coil Length (L × D × W)	mm	1066 × 792 × 57.1
Fan Motor Speed	r/min	cooling860/heating860
Fan Motor Power Output	W	130
Motor Full Load Amp(FLA)	A	2.5
Fan Motor Capacitor	μF	/
Fan Type	-	Axial-flow
Fan Diameter	mm	Φ550-205
Defrosting Method	-	Automatic Defrosting
Climate Type	-	T1
Isolation	-	I
Moisture Protection	-	IPX4
Permissible Excessive Operating Pressure for the Discharge Side	MPa	4.3
Permissible Excessive Operating Pressure for the Suction Side	MPa	2.5
Sound Pressure Level	dB (A)	63
Sound Power Level	dB (A)	74
Dimension(W × H × D)	inch	40 5/32 × 32 33/64 × 16 13/16
Dimension of Carton Box (L × W × H)	inch	42 29/32 × 19 29/64 × 34 1/4
Dimension of Package(L × W × H)	inch	43 1/32 × 19 9/16 × 34 27/32
Net Weight	lb	173.1
Gross Weight	lb	188.5
Refrigerant	-	R32
Refrigerant Charge	oz	95.256
Not Additional Gas Connection Pipe Length	ft	131.2
Connection Pipe Gas Additional Charge	oz/ft.	0.2
Outer Diameter of Liquid Pipe(British System Allocation)		1/4"/1/4"/1/4"/1/4"
Outer Diameter of Gas Pipe(British System Allocation)		3/8"/3/8"/3/8"/3/8"
Connection Pipe Max. Height Distance(indoor and indoor)	ft	82.02
Connection Pipe Max. Height Distance(indoor and outdoor and indoor up)	ft	82.02
Connection Pipe Max. Height Distance(indoor and outdoor and outdoor up)	ft	82.02
Max. equivalent connection pipe length(outdoor to last indoor)	ft	82.02
Connection Pipe Max. Length Distance(total length)	ft	262.46

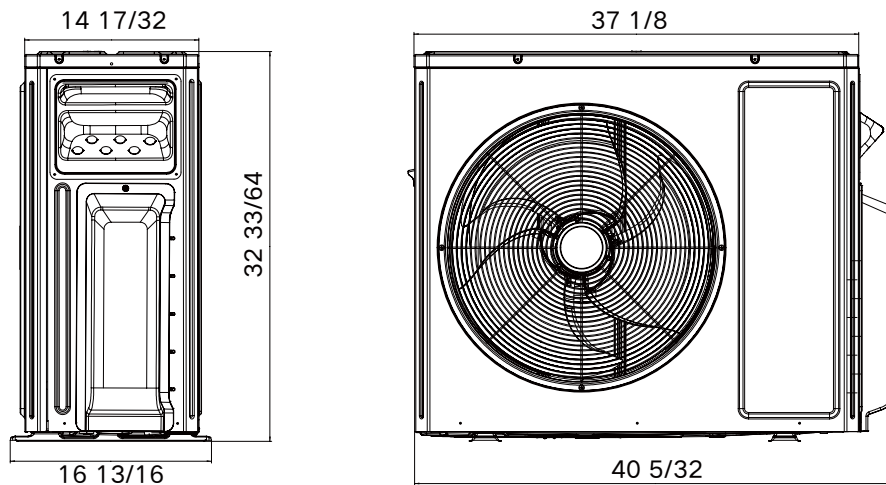
Job Name:

Schedule Reference:

Date:

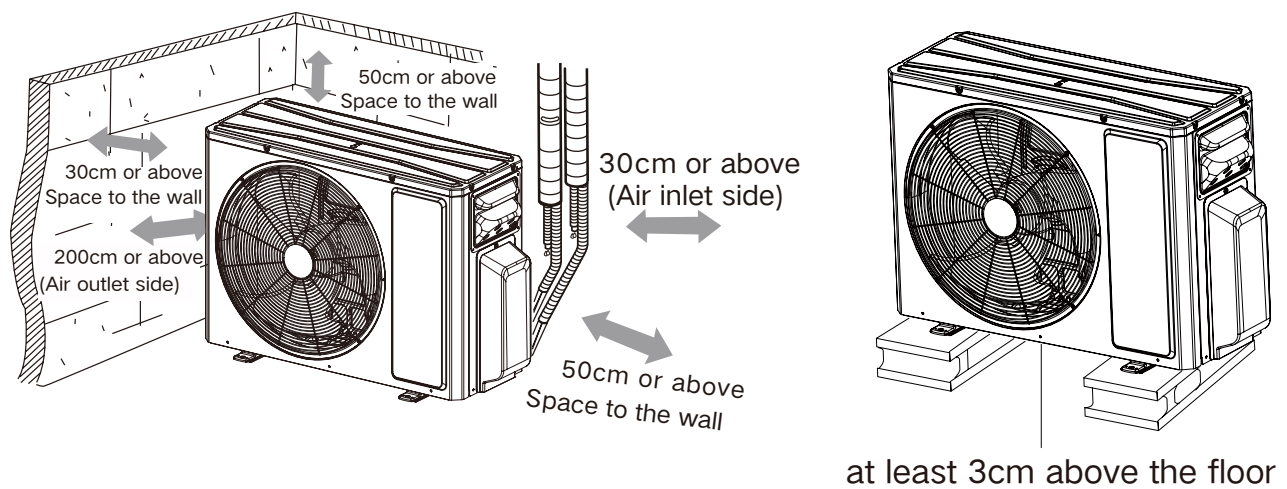
Specification are subject to change without notice.

## Outdoor Unit



Unit: inch

## Installation Dimension Diagram



Job Name:

Schedule Reference:

Date: