



# Ultra Phoenix



## WAC

## HEAT PUMP INVERTER

**GJH09BW-A6DRNL1A**



Item	Unit	Parameter
Model	—	<b>GJH09BW-A6DRNL1A</b>
Cooling Capacity	Btu/h	9300
Heating Capacity	Btu/h	9900
Power Supply	—	115V/1Ph/60Hz
Sound Pressure Level(lowest)	dB(A)	43
CEER	—	15.1
HEER	—	7.7
COP(17F)	w/w	2.0
Cooling Power Input	W	830
Heating Power Input	W	900
Cooling Current Input	A	7.3
Heating Current Input	A	8
Minimum - Maximum Voltage	V	104-126v
External Dimensions ( W*H*D )	inch	26*15.3*27.5
Package Dimensions ( W*H*D )	inch	30.3*16.5*31
Net Weight	kg/lbs	52.5 / 115.8
Gross Weight	kg/lbs	59/130
Refrigerant Type	—	R32
Refrigerant Charge	oz	29.98
Temperature operation range for cooling	°F	64-109
Temperature operation range for heating	°F	-15-86
Air flow(H\M\L)	CFM	312/282/206
Fan motor	2	DC
Compressor	1	Inverter
Loading QTY(20'GP/40'GP/40'HQ)	pcs	105/225/267

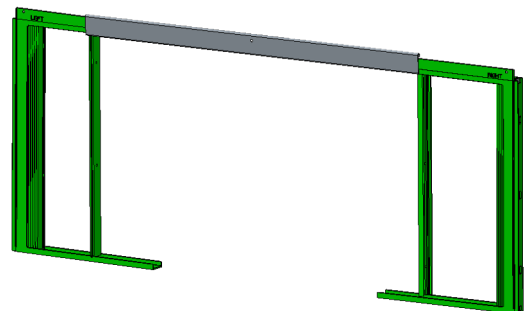
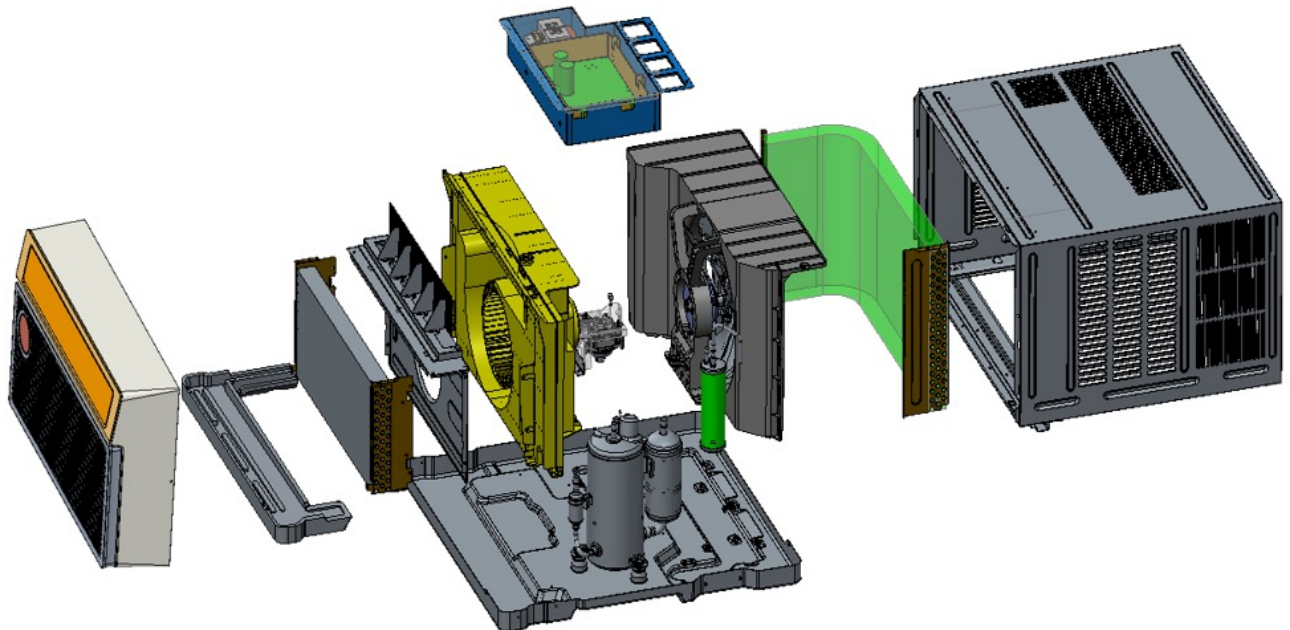
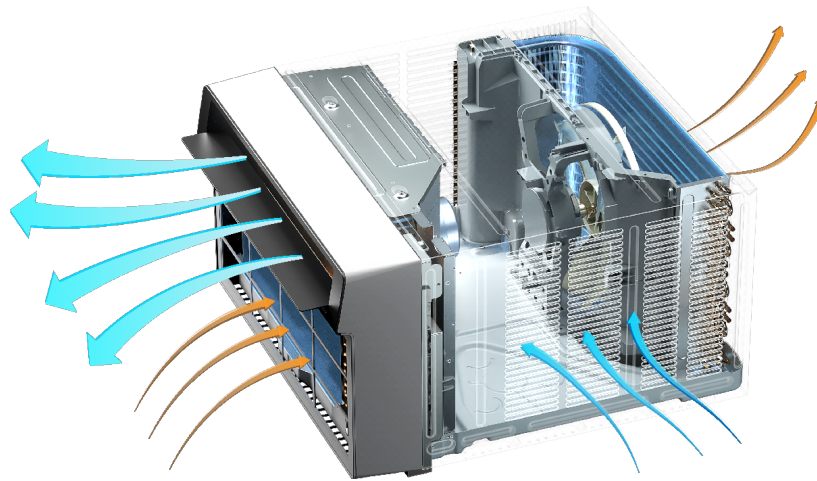
### Y&N Gree Commercial USA

Website: <https://gree-america.com/>

E-mail: [info@gree-america.com](mailto:info@gree-america.com)

# Phoenix

**GREE**  
AIR CONDITIONER



**Y&N Gree Commercial USA**

Website: <https://gree-america.com/>

E-mail: [info@gree-america.com](mailto:info@gree-america.com)