

208~230V Floor Ceiling

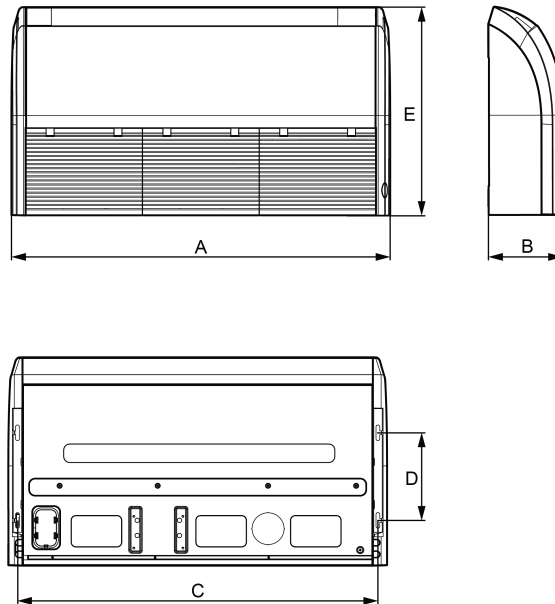
Model: GMV-ND48ZD/NhB-Z(U)



Specifications	Unit	Parameter
Model	—	GMV-ND48ZD/NhB-Z(U)
Performance		
Rated Cooling Capacity	kBtu/h	48
Rated Heating Capacity	kBtu/h	54
Sound Pressure Level	dB(A)	43/45/49
Electrical Data		
Power Supply	Voltage,Phase, Hertz	208/230,1,60
Maximum Overcurrent Protection (MOP)	A	15
Minimum Circuit Amps (MCA)	A	1
Fan		
Type x Quantity	—	Centrifugal×4
Air Flow Volume	CFM	940/1030/1175
Fan Motor Running Current	A	0.7
Fan Motor Power Output	W	250
Refrigerant Piping		
Connection Pipe	Gas(mm/inch)	Φ15.9/Φ5/8
	Liquid(mm/inch)	Φ9.52/Φ3/8
Connection method	—	Flare Connection
Refrigerant	—	R32
Dimension/Weight		
Dimensions (H×W×D)	mm/inch	235x1570x665 (9-1/4x26-3/16x61-13/16)
Net Weight	kg/lbs	43/95
Other		
Safety Certification	—	ETL

Job Name:		Date:	
System Reference No.:			
Engineer Signature:			

Outline and Physical Dimensions of GMV-ND48ZD/NhB-Z(U)



Unit: mm (inch)

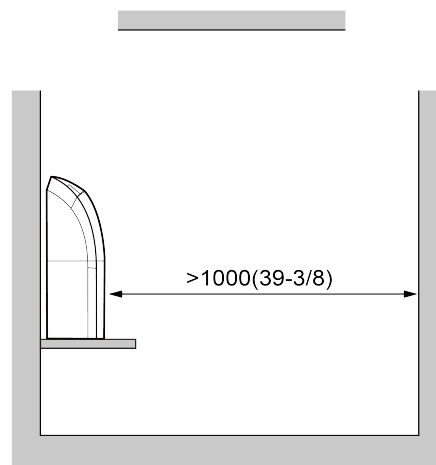
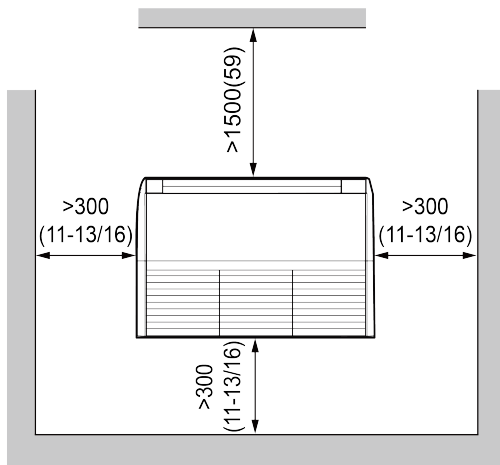
Models	A (mm)	B (mm)	C (mm)	D (mm)	E (mm)	Drainage pipe(Outer Diameter × wall thickness) (mm)	Outer diameter of connection pipe(mm)	
							Liquid pipe	Gas pipe
GMV- ND48ZD/NhB- Z(U)	1570 (61- 13/16)	235 (9-1/4)	1512 (59- 1/2)	280 (11)	665 (26- 3/16)	Φ17×1.75	Φ9.52(3/8)	Φ15.9(5/8)



Installation Position Selection

Unit: mm (inch)

Floor type



Ceiling type

