

# GMV

# GMV-ND24A/NhB-T(U)



Specifications	Unit	Parameter
Model	—	GMV-ND24A/NhB-T(U)
<b>Performance</b>		
Rated cooling capacity	kBtu/h	24
Rated heating capacity	kBtu/h	27
Sound pressure level	dB(A)	40/41/43
<b>Electric data</b>		
Power supply	Voltage,Phase,Hertz	208/230,1,60
Maximum Overcurrent Protection(MOP)	A	15
Minimum Circuit Amps(MCA)	A	3
<b>Fan</b>		
Type×Qunity	—	Centrifugal×1
Air Flow Volume	CFM	690/800/880
ESP	Pa	50/0~250
Fan Motor Running Current	A	3.0
Fan Motor Power Output	W	370
<b>Refrigerant Piping</b>		
Connection Pipe	Gas(mm/inch)	Φ15.9, 5/8
	Liquid(mm/inch)	Φ9.52, 3/8
Connection Method	—	Brazing Connection
Refrigerant	—	R32
<b>Dimension/Weight</b>		
Dimension(H×W×D)	mm/inch	1105×460×540 43-1/2×18-1/2×21-1/4
Net Weight	kg/lbs	56/123
<b>Other</b>		
Safety Certification	—	ETL

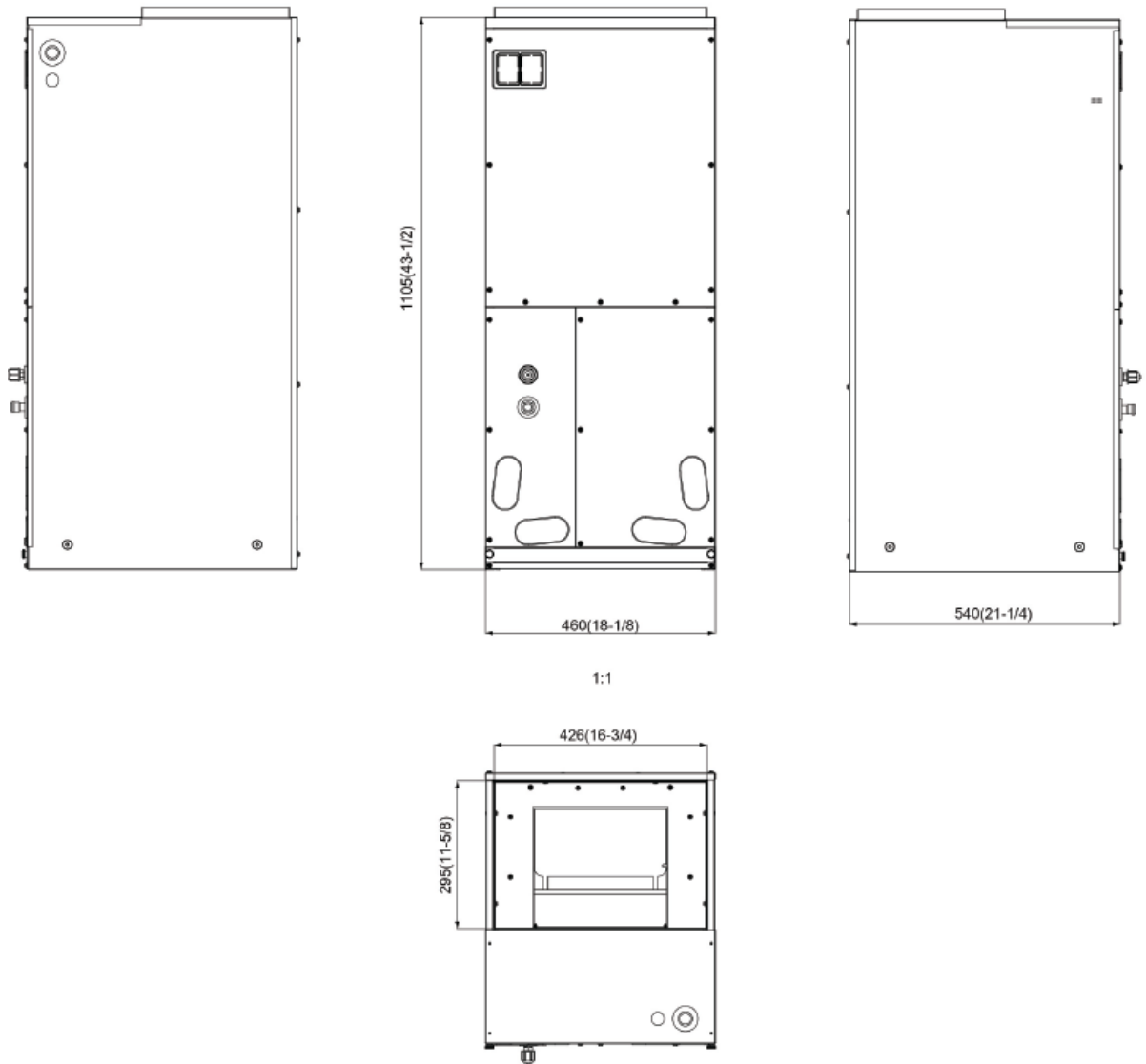
Job Name:

Schedule Reference:

Date:

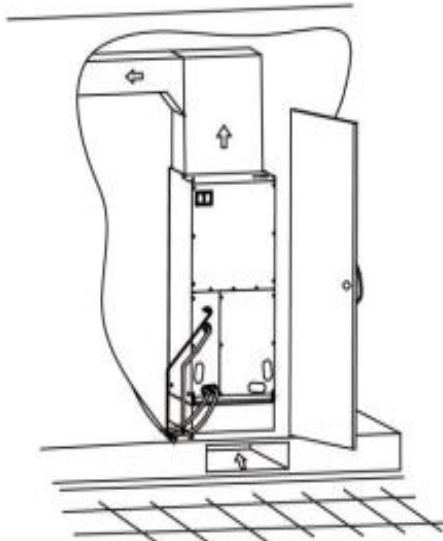
Specification are subject to change without notice.

## Outline and Physical Dimensions of GMV-ND24A/NhB-T(U)

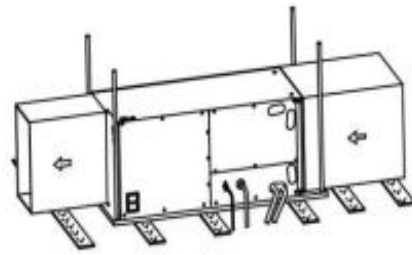


Unit: mm(in.)

## Installation space



Type (A)



Type (B)

Type A: Vertical Installation

Type B: Horizontal Installation

