

# GMV

# GMV-ND60A/NhB-T(U)



Specifications	Unit	Parameter
Model	—	GMV-ND60A/NhB-T(U)
Performance		
Rated cooling capacity	kBtu/h	60
Rated heating capacity	kBtu/h	66
Sound pressure level	dB(A)	49/50/51
Electric data		
Power supply	Voltage,Phase,Hertz	208/230,1,60
Maximum Overcurrent Protection(MOP)	A	15
Minimum Circuit Amps(MCA)	A	7.7
Fan		
Type×Qunity	—	Centrifugal×1
Air Flow Volume	CFM	1530/1650/1820
ESP	Pa	50/0~250
Fan Motor Running Current	A	6.9
Fan Motor Power Output	W	750
Refrigerant Piping		
Connection Pipe	Gas(mm/inch)	Φ19.05, 3/4
	Liquid(mm/inch)	Φ9.52, 3/8
Connection Method	—	Brazing Connection
Refrigerant	—	R32
Dimension/Weight		
Dimension(H×W×D)	mm/inch	1448×630×540
		57×24-3/4×21-1/4
Net Weight	kg/lbs	90/198
Other		
Safety Certification	—	ETL

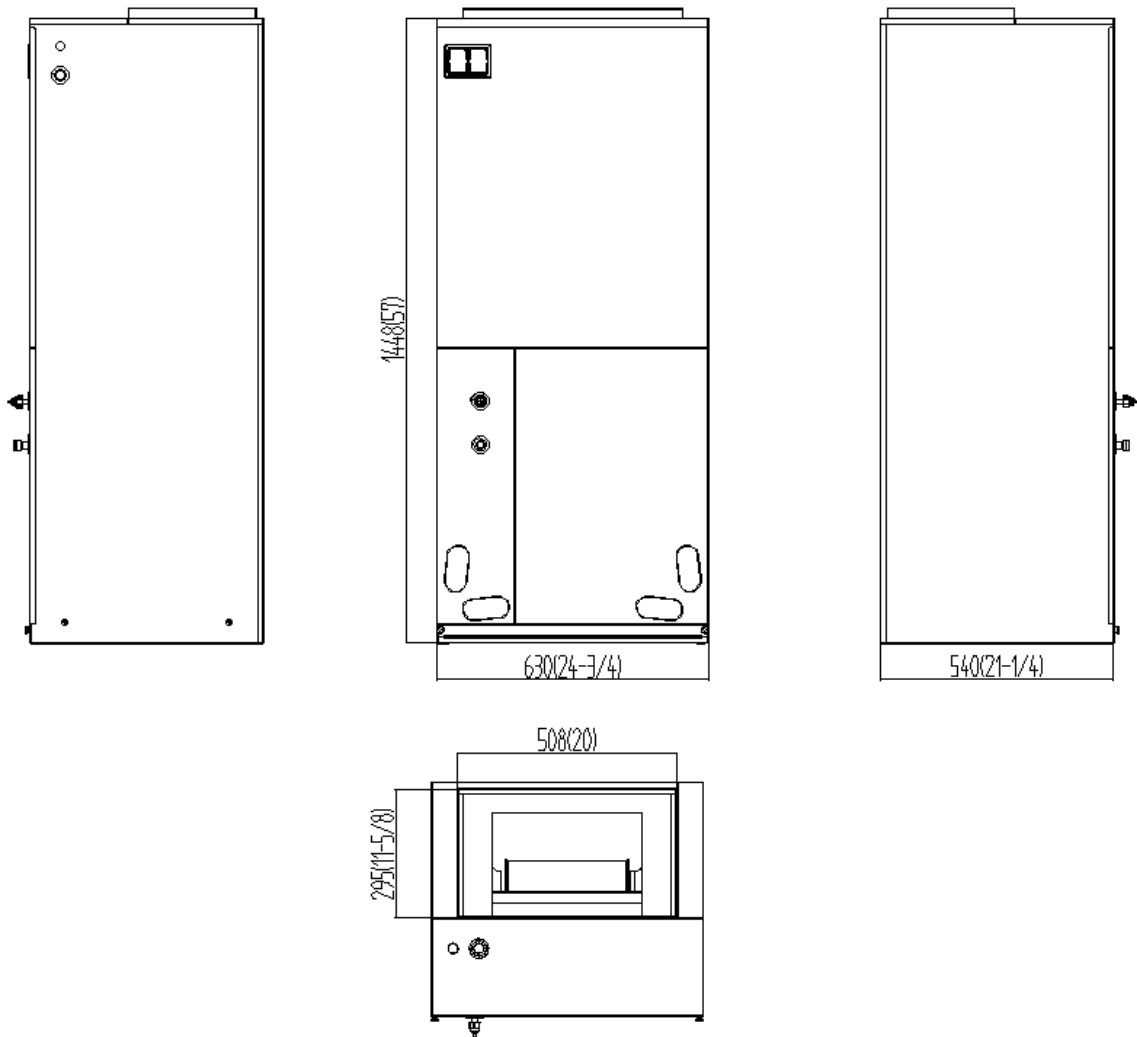
Job Name:

Schedule Reference:

Date:

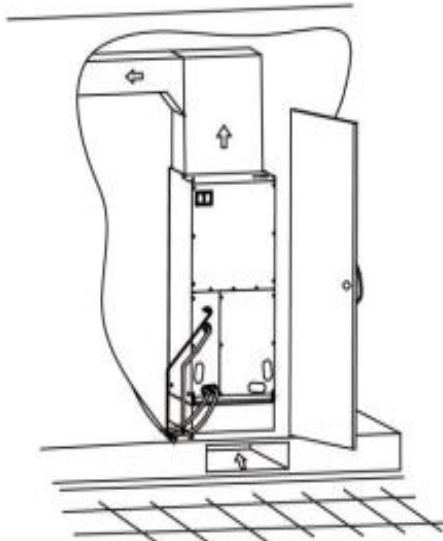
Specification are subject to change without notice.

## Outline and Physical Dimensions of GMV-ND60A/NhB-T(U)

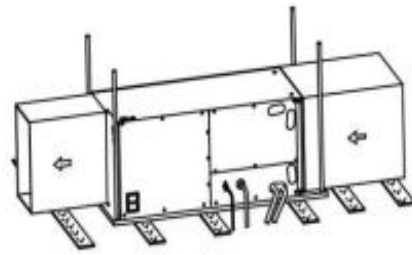


Unit: mm(in.)

## Installation space



Type (A)



Type (B)

Type A: Vertical Installation

Type B: Horizontal Installation

